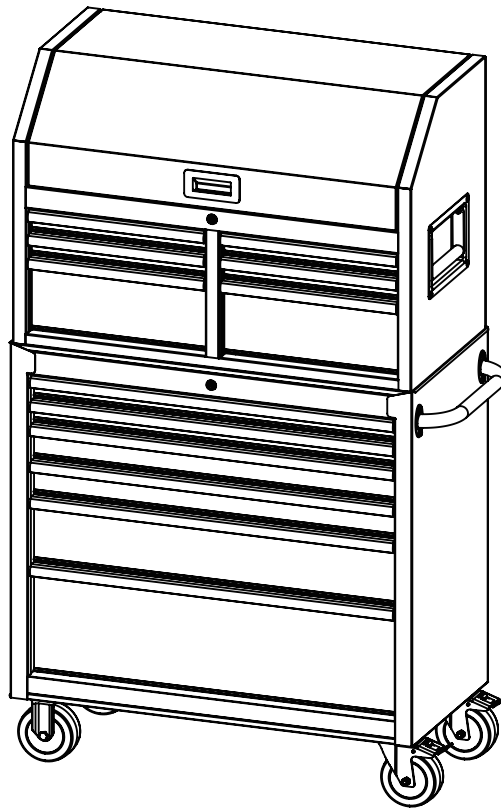




Halfords Advanced Series

Item Code: 575305 Halfords Advanced 6 Drawer Chest

584059 Halfords Advanced 6 Drawer Cabinet



Caution:

Read and follow all information in this owners manual before use.

Keep for future reference.

Halfords Ltd. Redditch, B98 0DE.

SAFETY

SAFETY WARNINGS AND CAUTIONS

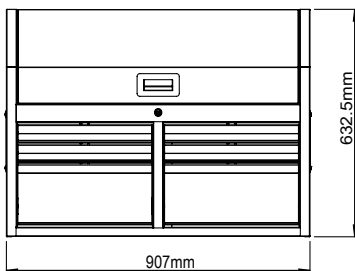
To avoid personal injury or product damage in use:

- Do not open more than one drawer at a time, this weight transfer could cause the unit to fall towards the user.
- Do not stand on the unit or in/on the drawers.
- Always ensure the castor locks are on when stationary.
- Keep this product on an even, level surface to prevent it from becoming unstable.
- When loading the drawers, place heavier items towards the bottom of the unit.
- Do not exceed the stated maximum weights listed below.
- Not suitable for mounting on a truck bed or any other moving objects.
- Ensure fingers etc. are clear of the drawers and lid before closing.

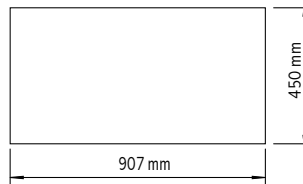
When moving this product:

- Ensure that all of the drawers and top lid are fully closed and locked before moving.
- When moving on very uneven or sloped surfaces, unload the tools and transport the units separately.
- Always push and not pull the product on the swivel castor side.

Product Specifications



Above view



Drawer Dimension:

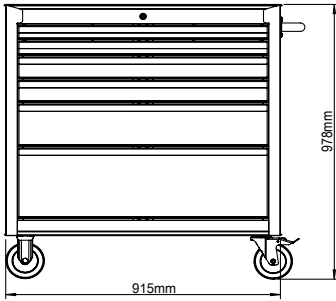
Row 1 to 2: 4xW=374mm H=50mm D=403mm

Row 3: 2xW=374mm H=169mm D=403mm

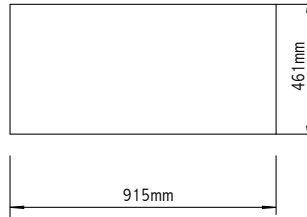
Maximum Weight per Small Drawer (x4): 20KG

Maximum Weight per Big Drawer (x2): 35KG

Maximum Weight per Top Tray: 25KG



Above view



Drawer Dimension:

Row 1 to 2: 2xW=766mm H=50mm D=387mm

Row 3 to 4: 2xW=766mm H=78mm D=387mm

Row 5: W=766mm H=151mm D=387mm

Row 6: W=766mm H=251mm D=387mm

Maximum Weight per Drawer (x6): 35KG

OPERATION

Cabinet contents

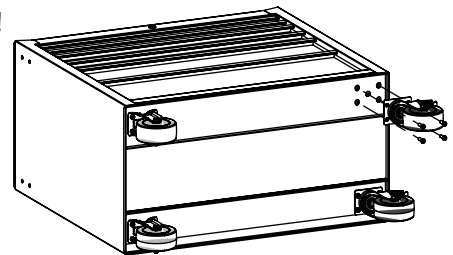
Part	Description	Qty
1	Cabinet Handle	1
2	Fixed Castor	2
3	Swivel Castor with Brake	2
4	M6 x 16 Bolt	4
5	M8 x 25 Bolt	16

(1)

(1) CASTOR ASSEMBLY

Caution: this product is heavy, you will need assistance!

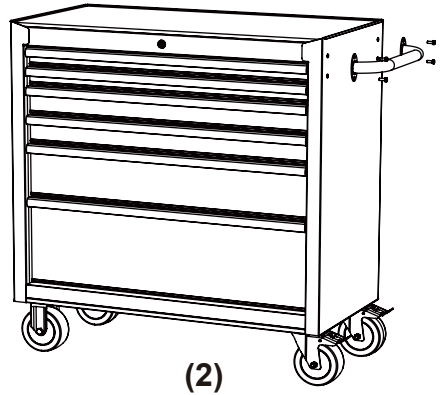
1. Lay the cabinet down on its back. Use the packaging material to protect the paint finish.
2. Mount both swivel castors with brake on the same side of the cabinet as the handle.
3. Attach each castor using the bolts (4 per castor).
4. Return the cabinet to its upright position.



(2) SIDE HANDLE ASSEMBLY

Position the side handle over the holes of the cabinet and attach with 4 bolts.

Note: The side handle should be mounted on the same side as the swivel castors.



(3) LOCKING

Close all drawers and top before locking.

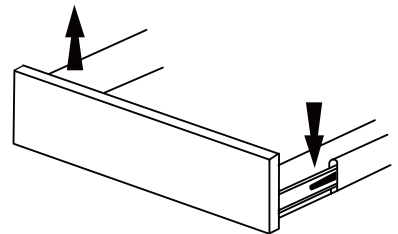
If a drawer is not locked, unlock unit and push the drawer fully closed before re-locking.

MAINTENANCE

REMOVING AND INSTALLING DRAWERS

Pull the drawer completely out, press down **right** tab and lift up **left** tab, pull drawer off slides.

To reinstall the drawer: Fully extend the runners, carefully slot the drawer back into the runner and press into the cabinet. Some resistance is normal however if a lot is felt, remove and realign.



MAINTENANCE OF CHEST AND CABINET

Drawer slides and castors should be lubricated periodically. (See Halford's lubricant range). Hardware (nuts, bolts, screws) should be tightened periodically to maintain trouble free operation.

WARRANTY

Please visit halfords.com/advanced for information on warranty period and full terms and conditions.