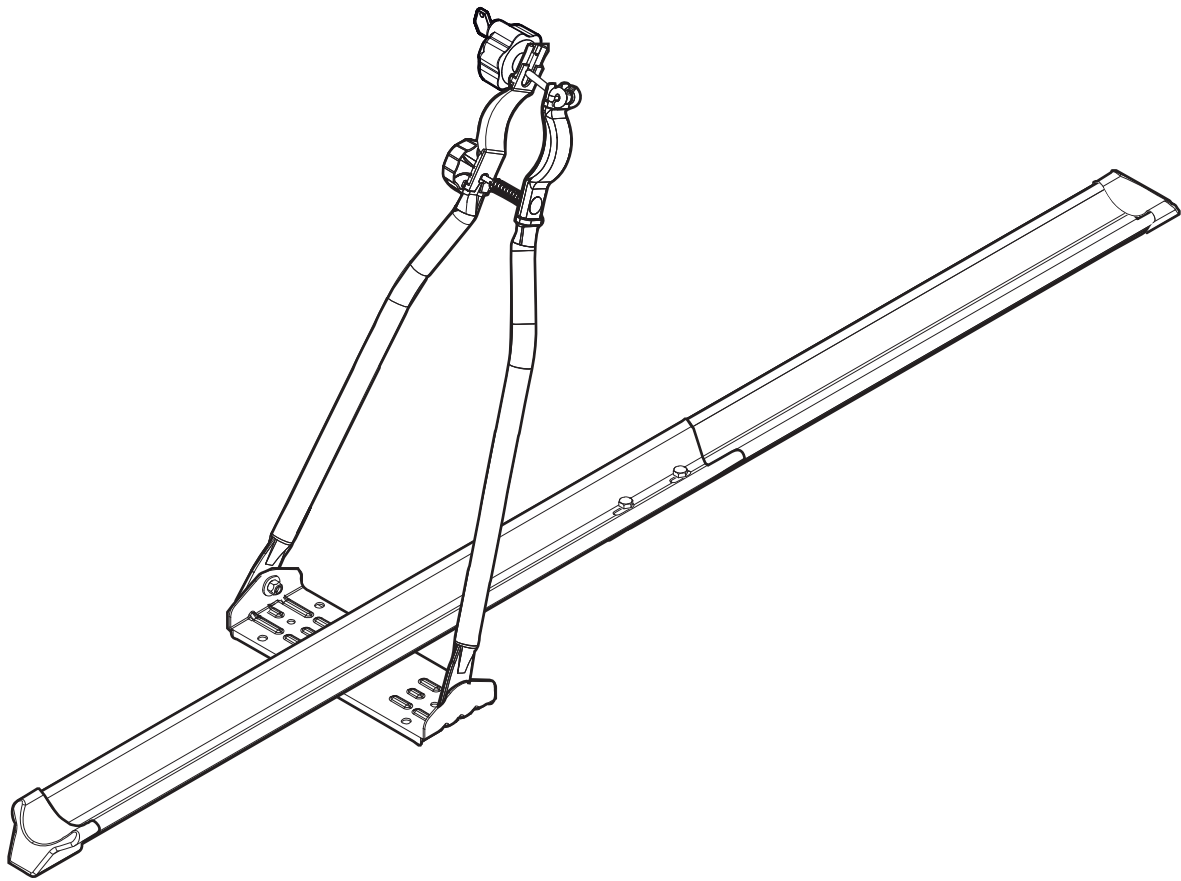


halfords

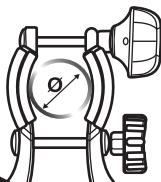
ROOF MOUNT CYCLE CARRIER FITTING INSTRUCTIONS



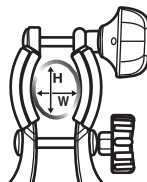
Down Tube Profiles



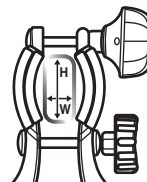
Ø min. 28 mm
Ø max. 70 mm



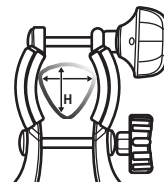
W: min. 28 / max. 60 mm
H : min. 28 / max. 70 mm

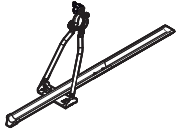





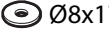





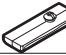









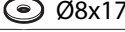



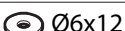




W: min. 28 / max. 60 mm
H : min. 28 / max. 70 mm



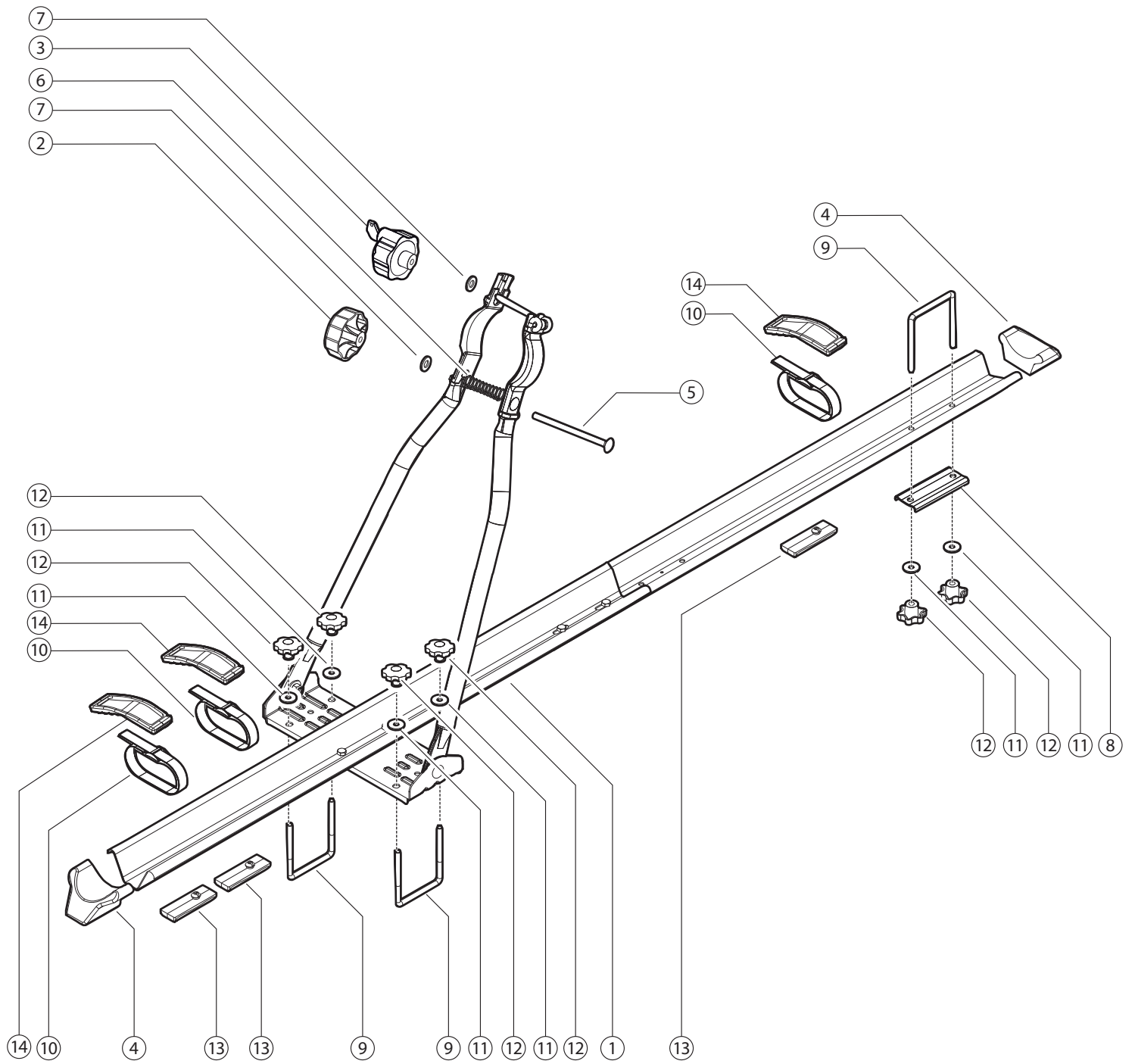
W: min. 28 / max. 60 mm
H : min. 28 / max. 70 mm




N.	Components (Included)	Q.
1		1
2		1
3		1
4		2
5	 M8x100	1
6		1
7	 Ø8x17	2
8		1
9		3
10		3
11	 Ø6x18	6
12		6
13		3
14		3

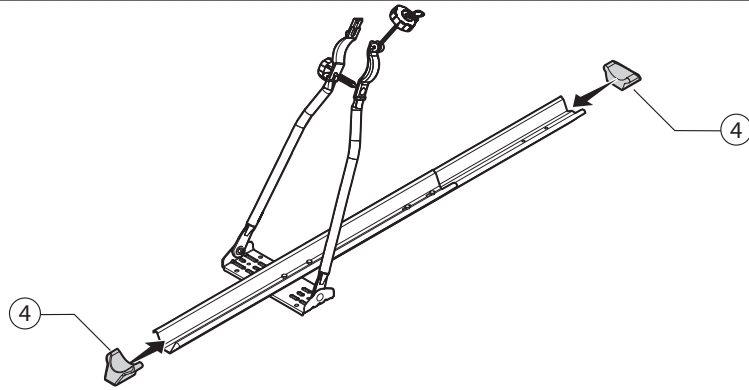
N	Spare Parts (Made to order)	Code	Q
A		700005800000	2
2		700010800000	1
3		700010900000	1
4		700006200000	1
5	 M8x100	700011000000	1
6			1
7	 Ø8x17		1
8		700011200000	1
9		700011100000	3
10		700003600000	3
C	 Ø6x12	700011300000	2
11	 Ø6x18		12
E	 M6		4
B	 M6x14		4
12			6

To order spare parts please contact your local Halford's store.



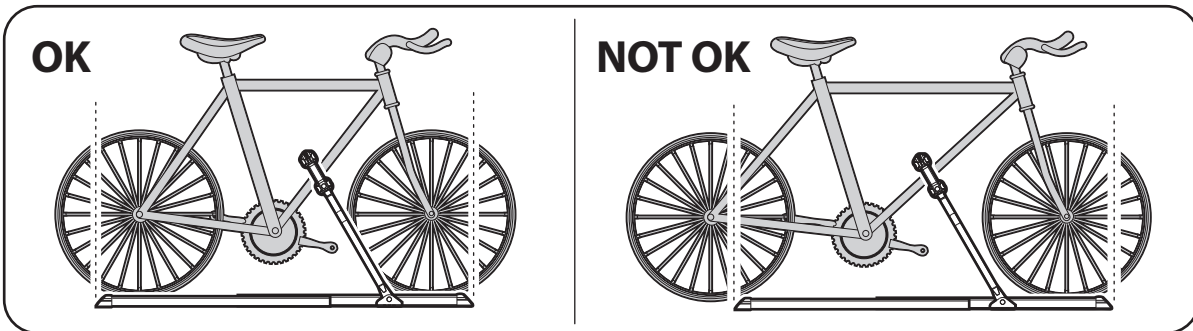
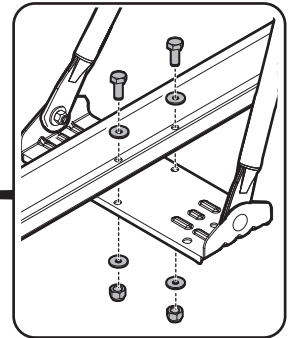
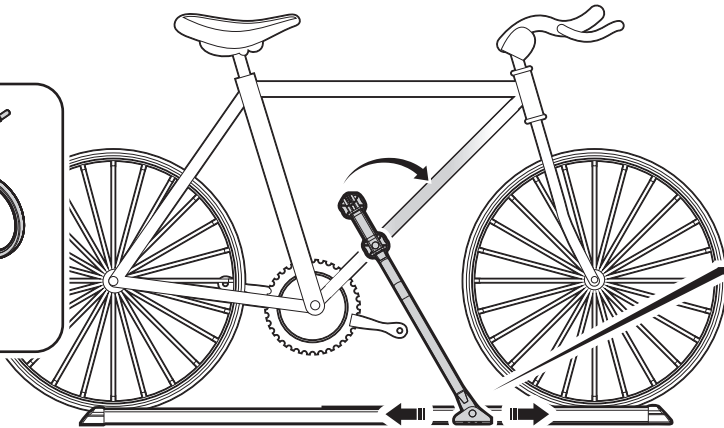
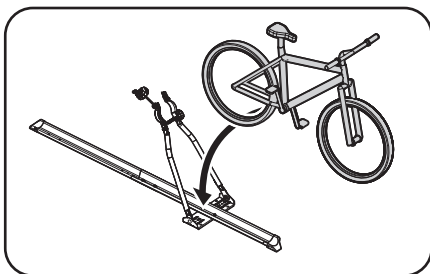
1

N.		Q.
4		2



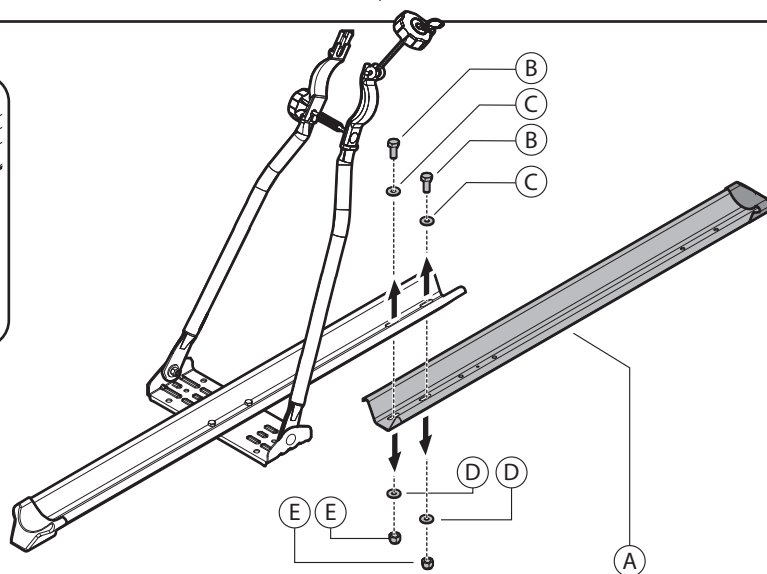
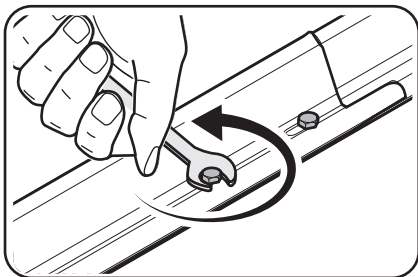
2

Before fitting carrier to roof bars, place your bike onto carrier and adjust the frame clamp into correct position. Remove your bike from carrier. Then continue to place your carrier onto roof bars and secure as per the instructions that follow.

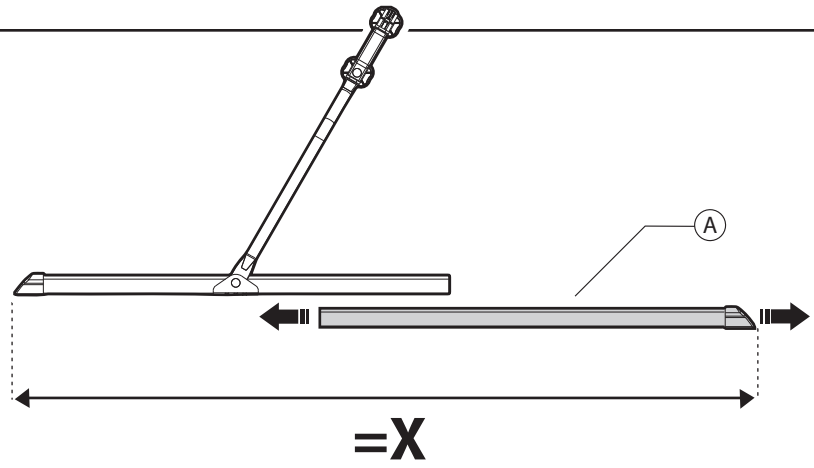
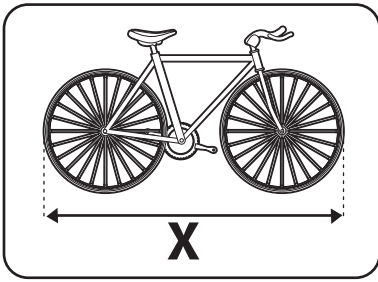


3 (page 5)

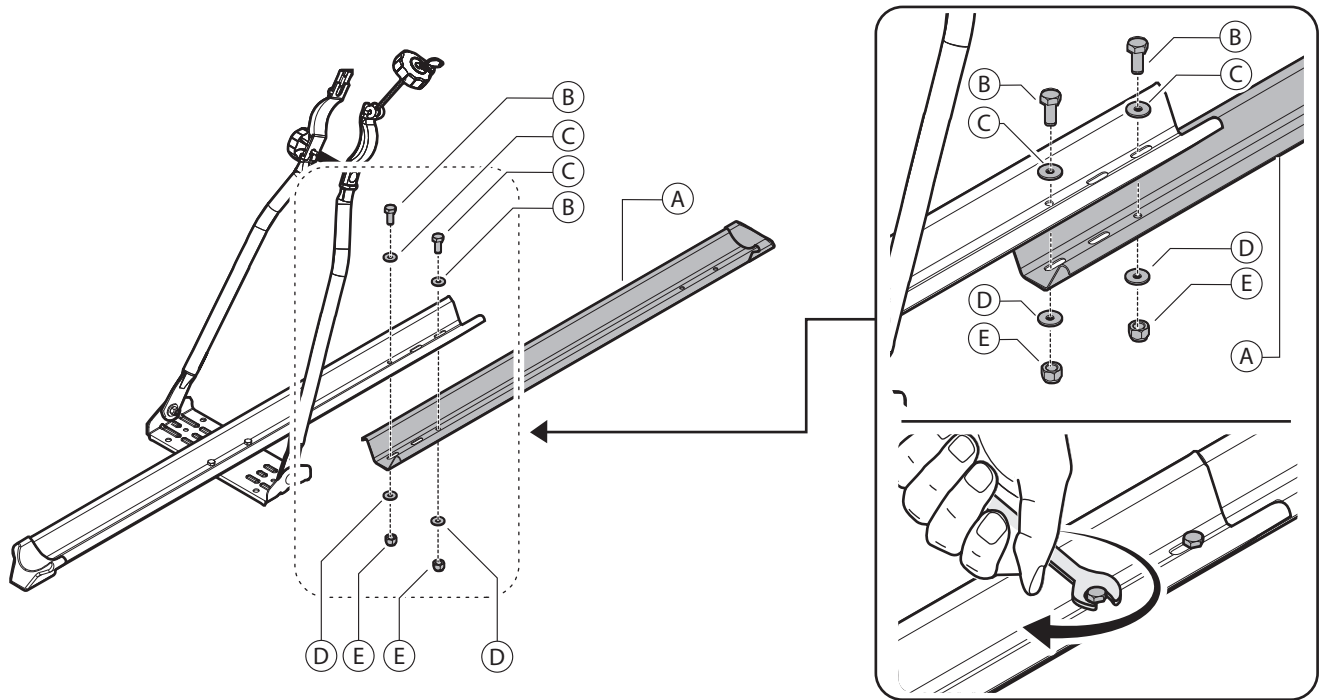
2a



2b

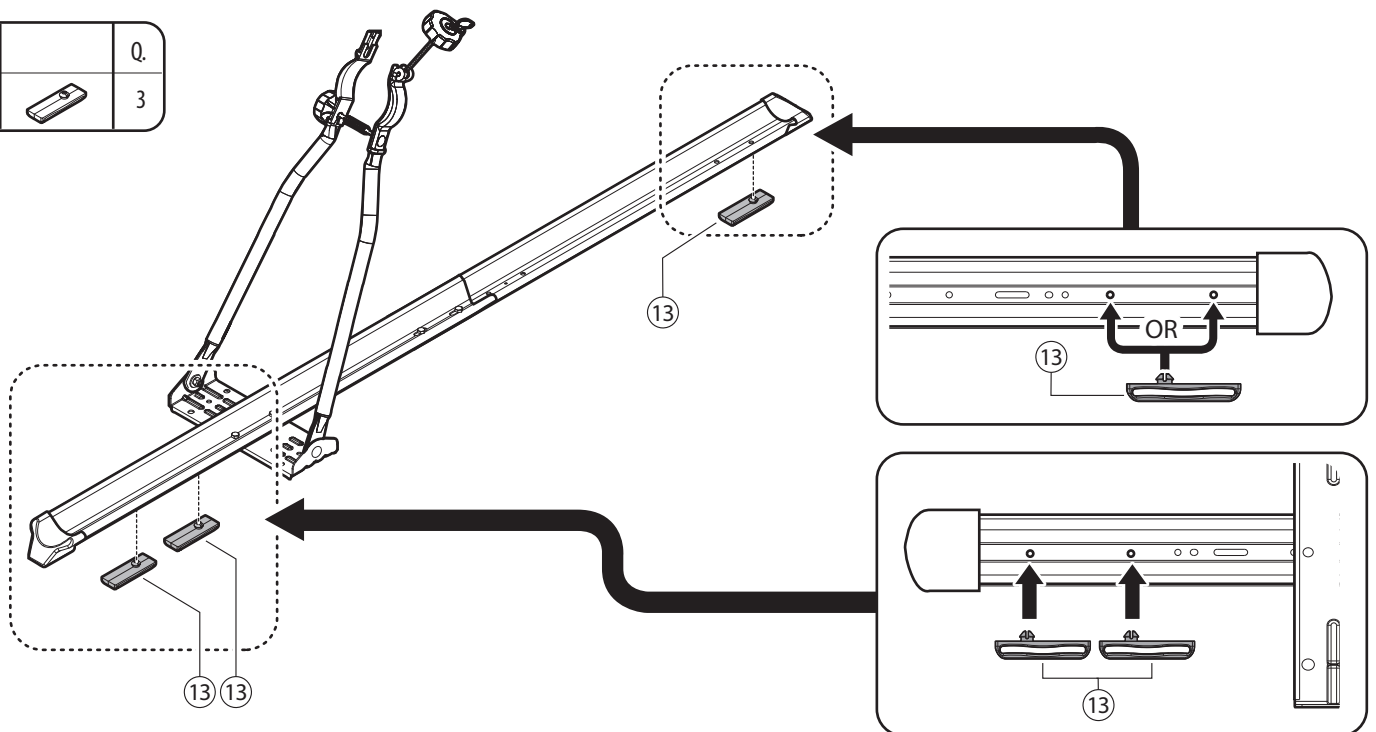


2c







3

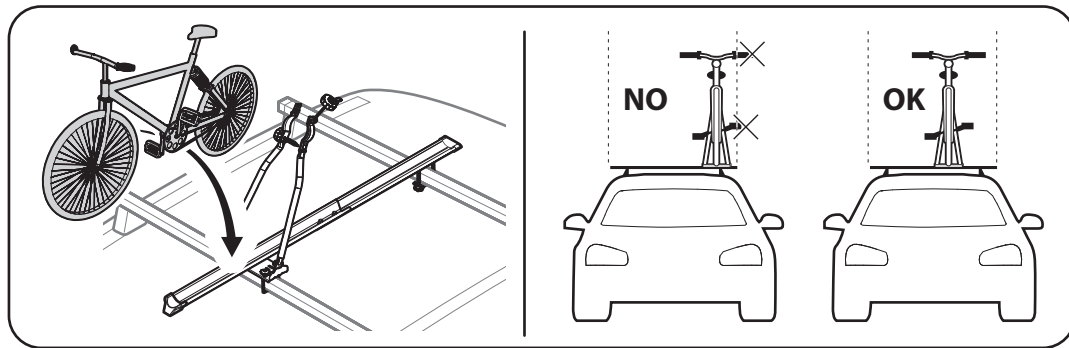
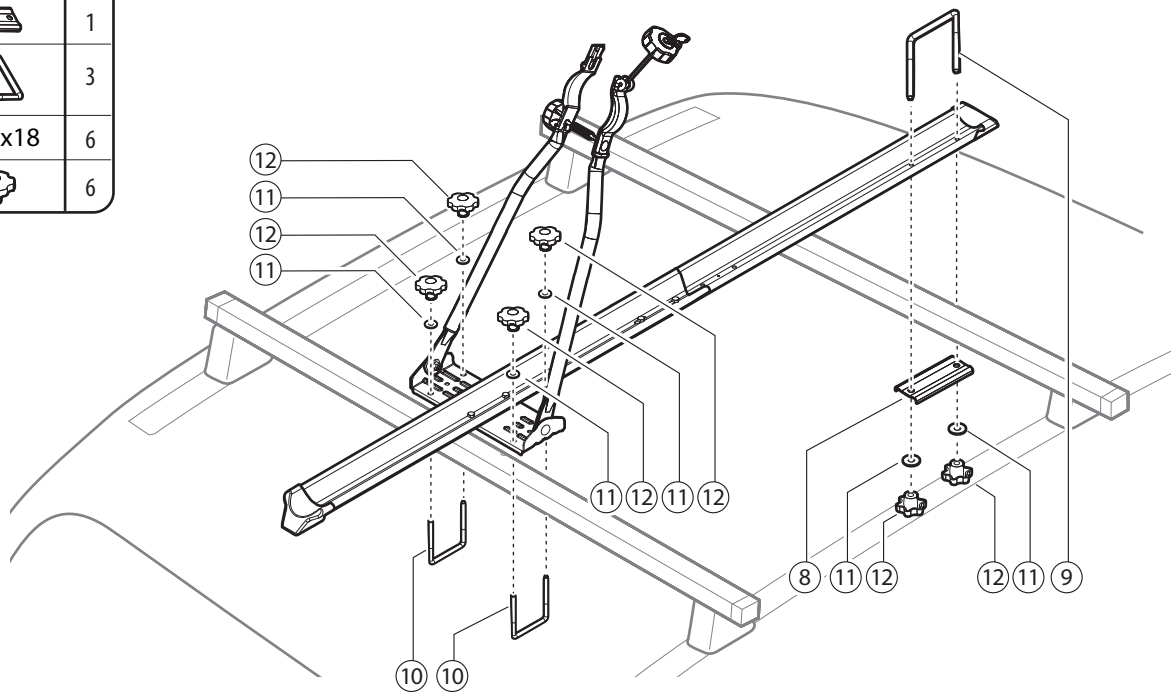
N.	Q.
13	3



4

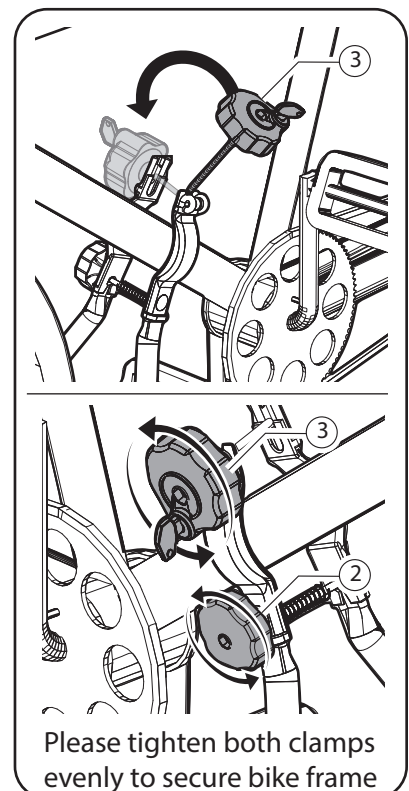
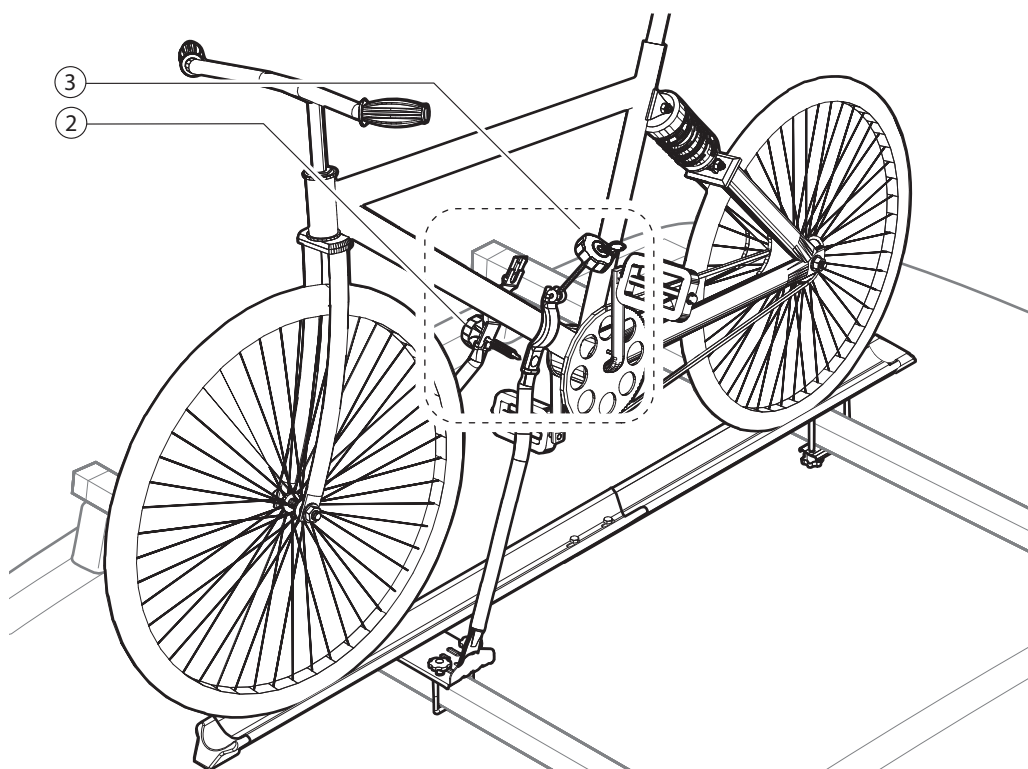
Fitting Cycle carrier to your roof bars

N.		Q.
8		1
9		3
11	 Ø6x18	6
12		6



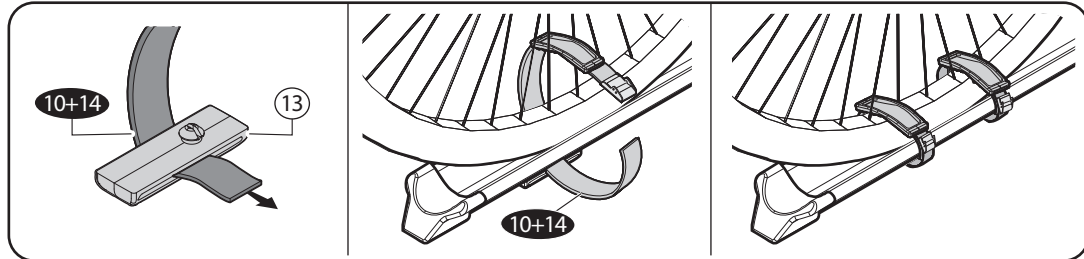
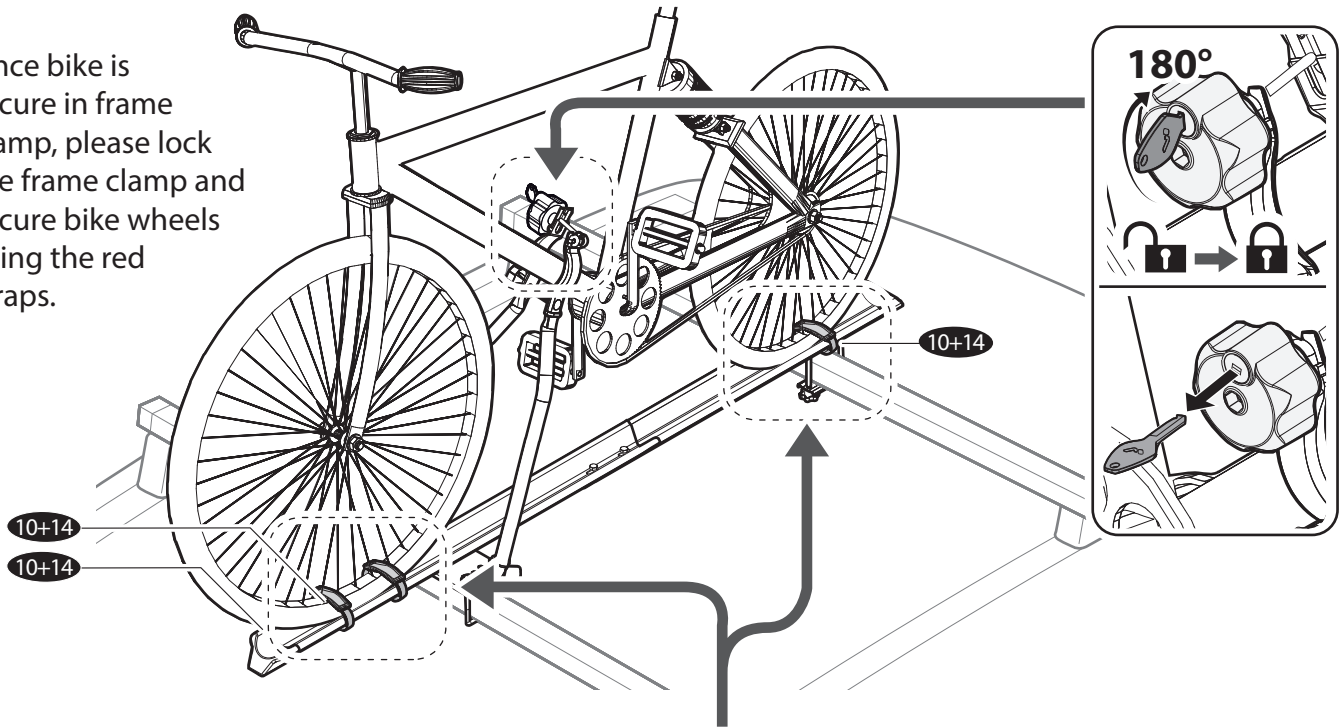
5

Securing bike to the carrier



N.	Q.		
10	3		
14	3		

Once bike is secure in frame clamp, please lock the frame clamp and secure bike wheels using the red straps.



ROOF MOUNT BIKE CARRIER		2.7 kg / 6 lbs	15 kg / 33.1 lbs

Please ensure you read the enclosed Cautions and Advisory notes below:

Dear Consumer, Thank you for choosing one of our products. Your accessory was designed, manufactured and tested with care and in compliance with the strictest regulations in force. Please read these instructions carefully to ensure your own safety and that of all other travellers. Keep this instruction booklet, and in particular the accessory installation manual, in your car. Read the instruction manual carefully before assembling, mounting and loading the accessory. Always remember to comply with the legislation in force in the country of destination.

Installation

- Clean the roof or the part of the roof where the accessory is to be mounted.
- Install the accessory only as described in the instruction booklet provided.
- Check that all the parts referred to are included. Do not install and use the product if any parts or accessories are missing.
- Do not modify or tamper with the accessory under any circumstances.
- Do not mount or use the product if you have any doubts on how to assemble it; in this case, contact your local retailer.
- Having mounted the accessory on the vehicle, check that it is securely fitted. Clamping mechanisms must always be re-tightened after cycle has been mounted.
- Do the same once you have placed a load on the accessory.

Note: take care to ensure that when assembled the product does not hinder the operation of or damage any aerials, sunroofs, spoilers or any other accessories mounted on the car roof.

Loading

- Before loading the accessory consult the use and maintenance manual of the vehicle to check the load.
- Never exceed the permitted load of the car roof and the accessory.
- The maximum permissible roof loads must not be exceeded (see vehicle handbook for details of the maximum roof loads). The roof load will comprise of the weight of the load bars, the carrier plus additional racks and the cycle load. Do not exceed a maximum load of 15kg per cycle carrier (1 adult cycle).
- Position the load so that it does not extend beyond the width of the vehicle, ensuring that the centre of gravity of the load is as low as possible and that the centre of gravity lies between the roof bars. Always remember to comply with the legislation in force in the country of destination.
- Both bike wheels must be securely strapped to the carrier using the straps supplied.
- Place skis and snowboards with the tips pointing towards the rear of the vehicle and do not cover the load with any parts which could increase their aerodynamic resistance; check that the skis do not slide out from the front when the bindings are touching the rear accessory.
- When loading small boats, canoes, surfboards, kayaks etc. also fix them to the front and rear of the vehicle.
- When loading objects with removable parts, make sure that these are removed first, to ensure safety and fuel savings (child seats on bikes, pumps, baskets, etc.).
- Make sure that the load does not come into contact with the vehicle roof to avoid damage to the roof.
- Before starting your journey, make sure that all parts are closed and well tightened; during the journey, periodically check the tightening of the belts, nuts and bolts generally, and check that the load is well secured. Repeat the operation at regular intervals, depending on the type of road.
- Do not fix the load with elastic straps.

Use and driving

- Installing accessories on the car roof increases the height and weight of the vehicle; take great care in underpasses, garages, tunnels, etc.
- Take care when opening the boot; consider the size of the accessory and the transported load.
- After installing the rack and the load, moderate your driving speed when accelerating, braking and on bends. Wind, sharp braking, tight bends, bumps and potholes in particular can alter the driveability of the vehicle.
- Reduce your speed according to the local legal limits and never exceed 70 mph/113 km/h. Always adjust your speed to suit the conditions of the road, traffic, weather, transported load and allow for longer braking distances.
- Do not approach speed bumps at a speed of more than 15 km/h (9 mph).
- Check the integrity and tightening of the load and the accessory before each use.
- For your own safety and that of other road users and to avoid wasting fuel, remove the accessory from the roof when not in use.
- Remove the accessory before washing the car in automatic car washes.
- The accessory is tested for road driving.

Maintenance and storage

- With time, the straps, bolts etc. and other parts subject to wear may become damaged and must be replaced. Lubricate the adjusting screws and bolts to extend the life of the accessory.
- If the accessory is accidentally dropped, immediately check that there is no damage such as cracks or visible dents which could compromise the correct operation of the accessory. In this case, replace the damaged part or the whole accessory.
- The product must be cleaned regularly with hot water and pH-neutral detergent, then dried with a cloth. Avoid contact with aggressive chemical agents (e.g. solvents).
- Do not drop the accessory.

Liability

When transporting any items on your vehicle, you are solely liable for your safety and that of others. The manufacturer declines all liability for any damage caused to property or injury to persons caused by the incorrect installation of the accessory, any excess speed or driving that does not consider the conditions of the weather, traffic or road surface. Inform any other drivers using your car when the accessory is installed of these warnings. The manufacturer shall not be liable for any damage to property or injury to persons during the installation of the accessory.

Disposal

- Dispose of this product and its packaging respectfully and ecologically, sorting the different materials for recycling, as required by local laws.
- Where possible dispose of this product via a waste disposal company - ask your local competent authority if any further information on this matter is required.
- Comply with all the laws in force in the country of destination.

halfords

Made in the EU
Halfords Ltd, Icknield Street Drive, Washford West
Redditch, B98 0DE
visit us at www.halfords.com

Item Code: 635780