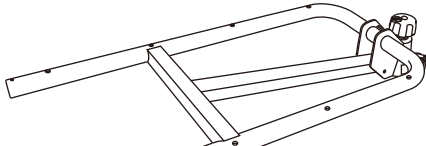


<p>Max</p>		
40 kg	15kg	25 kg
50 kg		35 kg
60 kg		45 kg
70 kg		55 kg
>75 kg		MAX 60 kg

PARTS LIST

x1



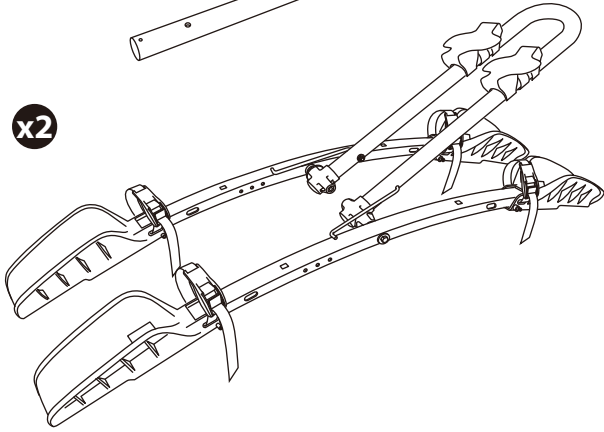
x8



x1



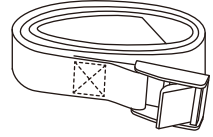
x2



x8



x2

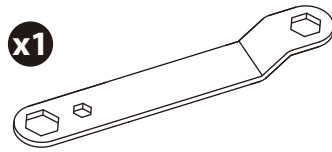


x8

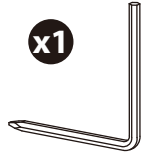


Tool

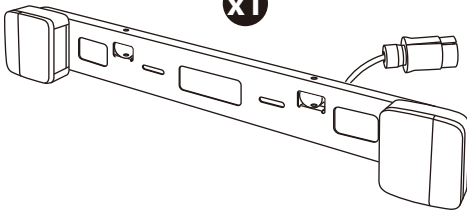
x1



x1



x1



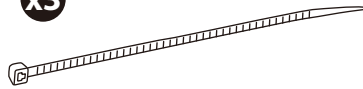
x4



x4



x3



x2



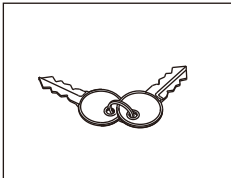
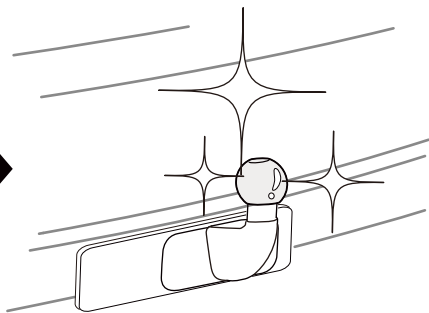
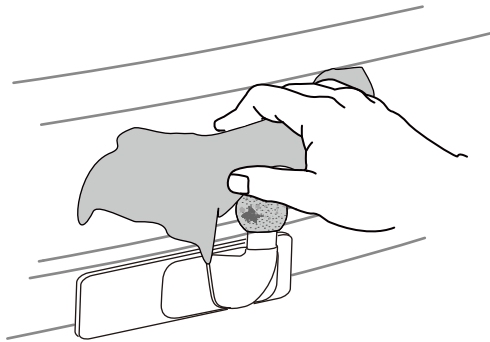
x2



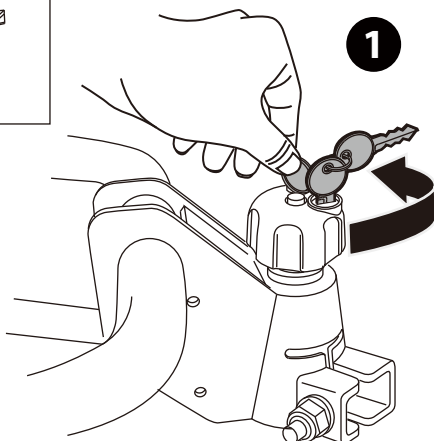
x2



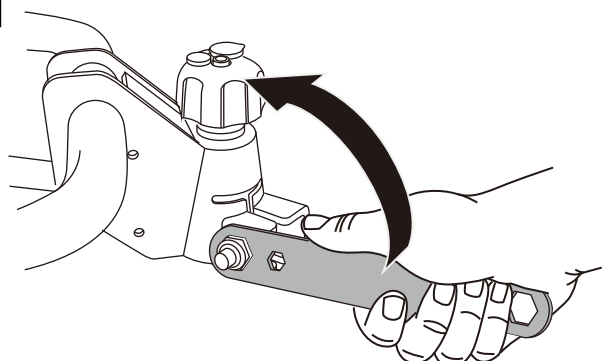
x2

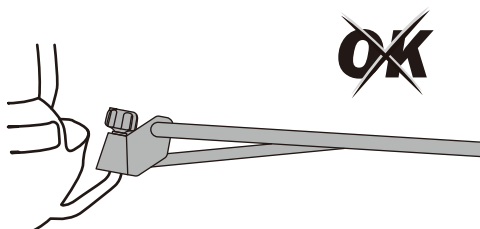
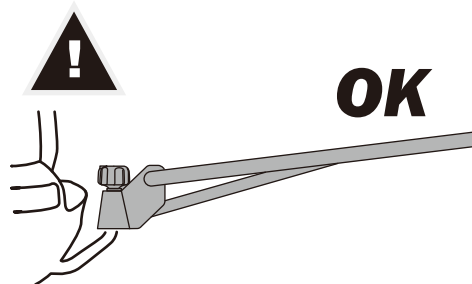
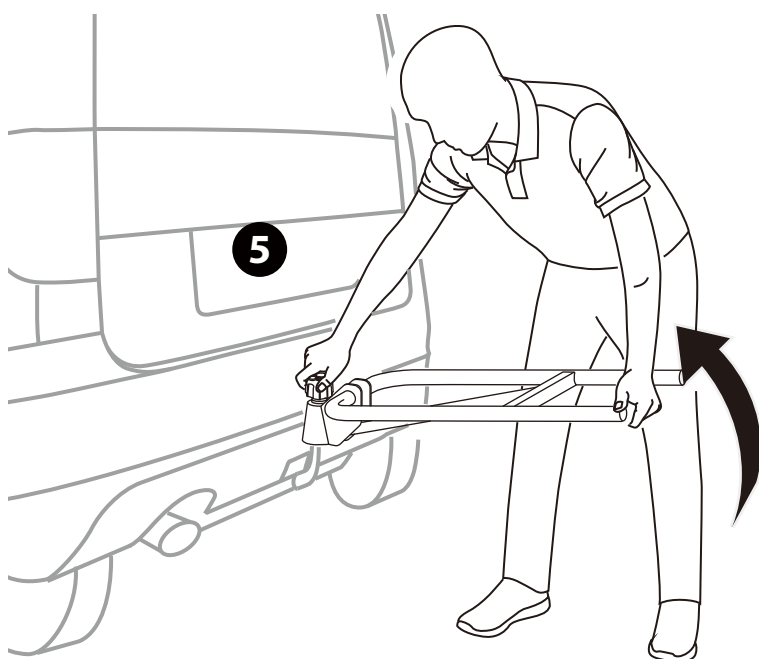
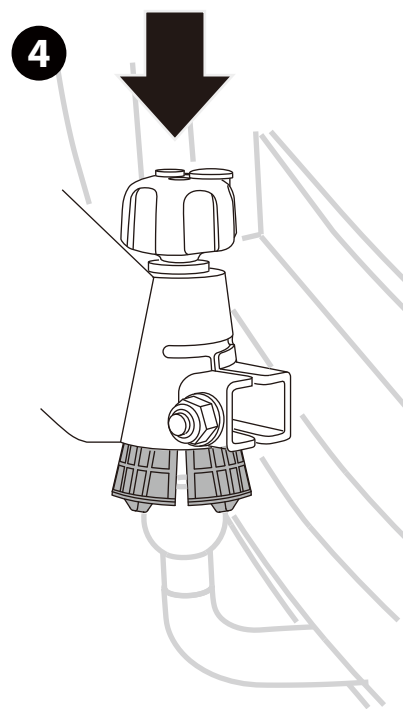
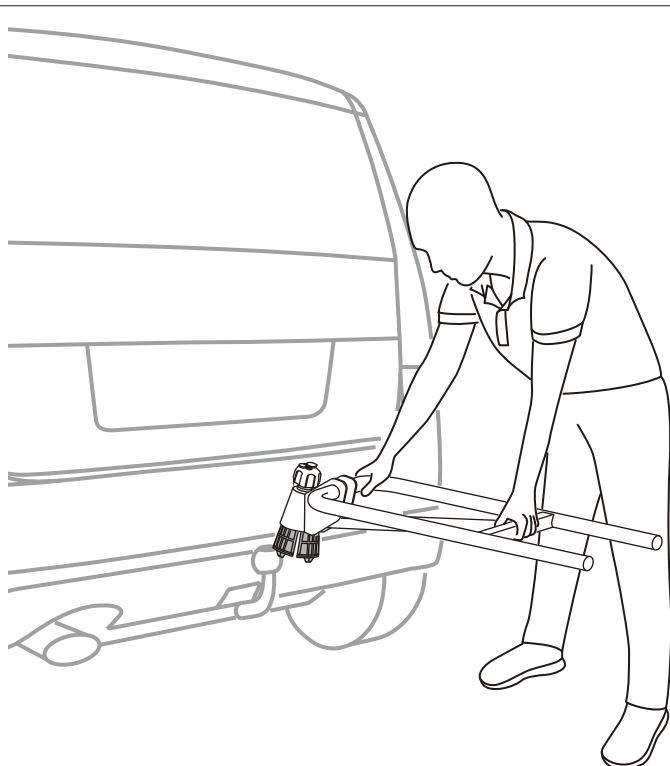
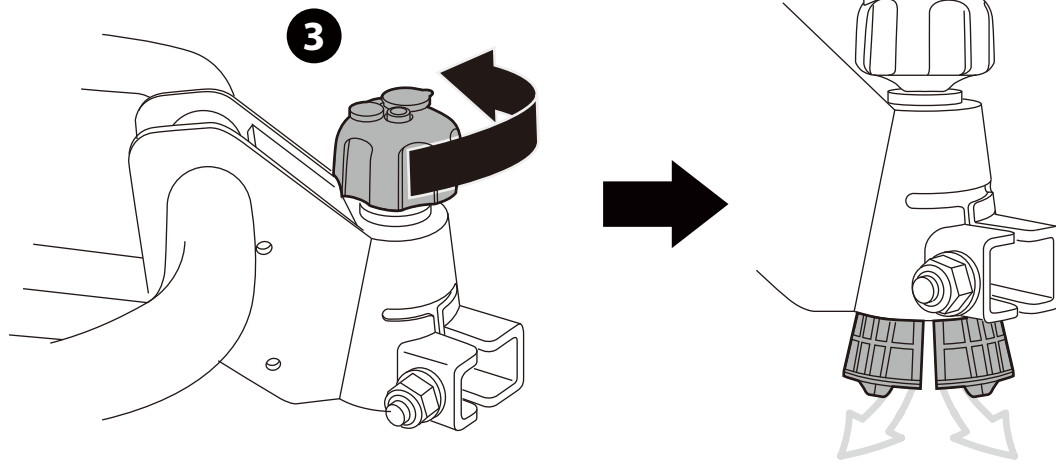


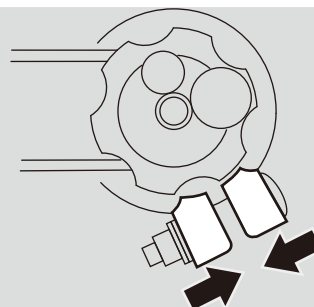
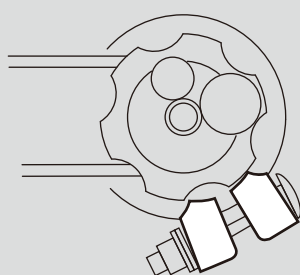
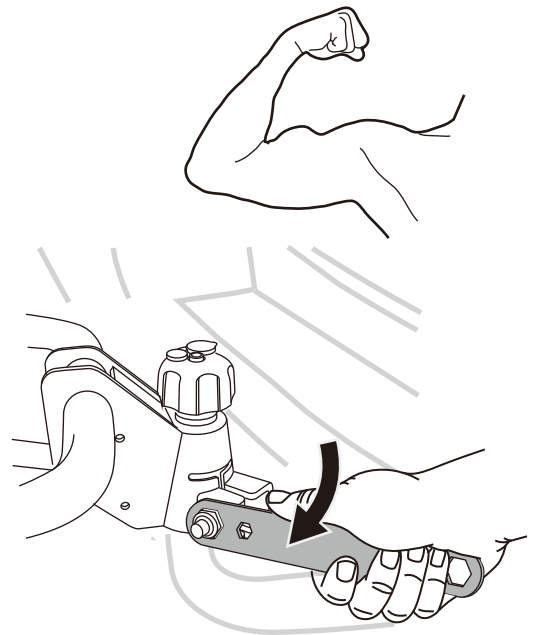
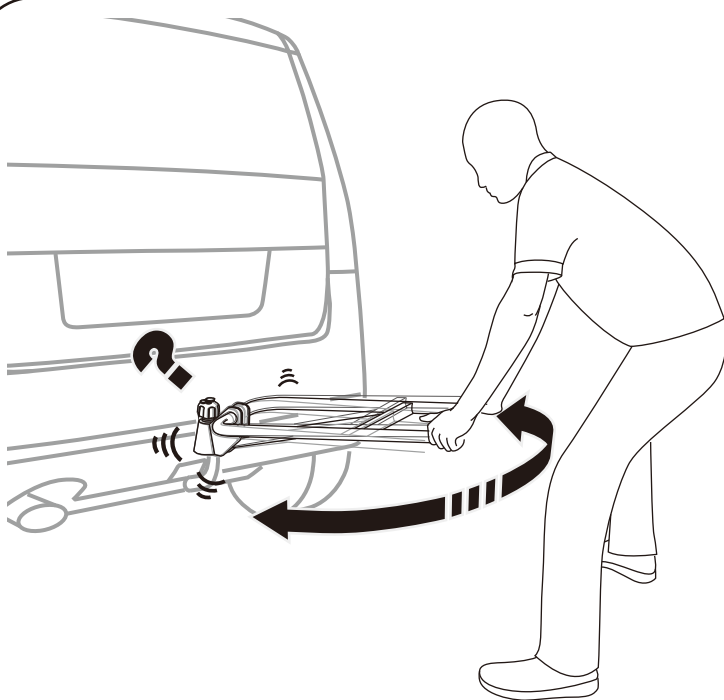
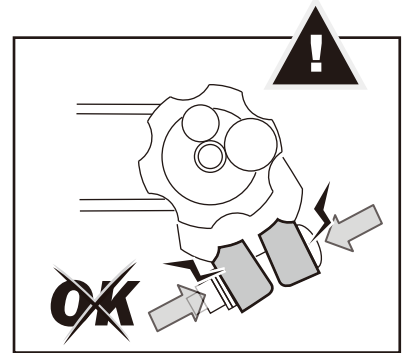
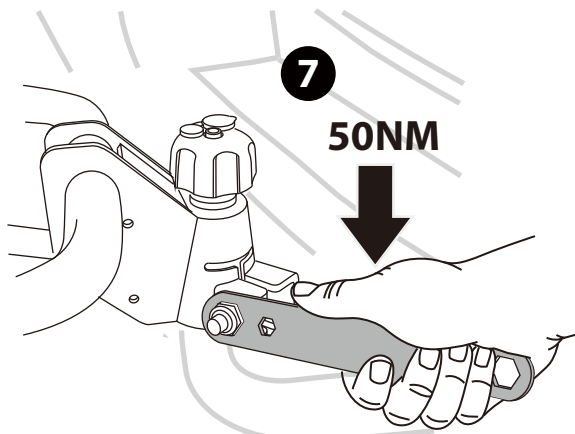
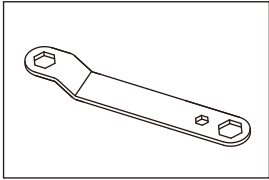
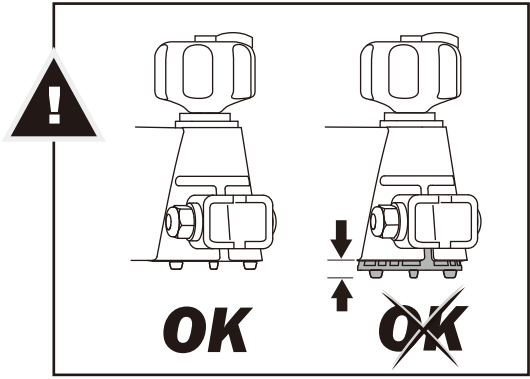
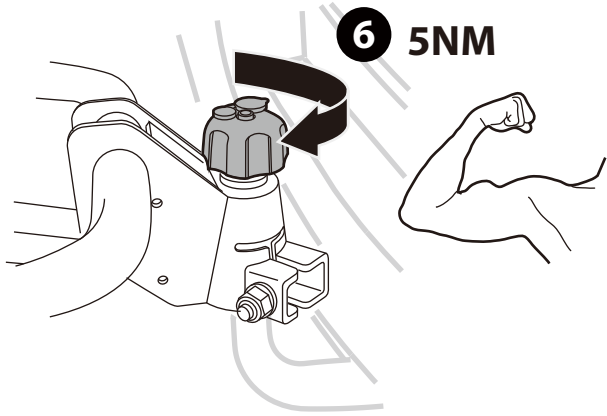
1

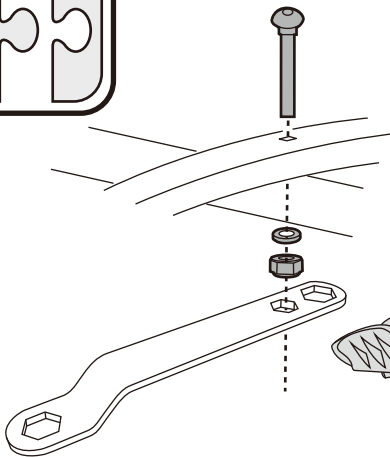
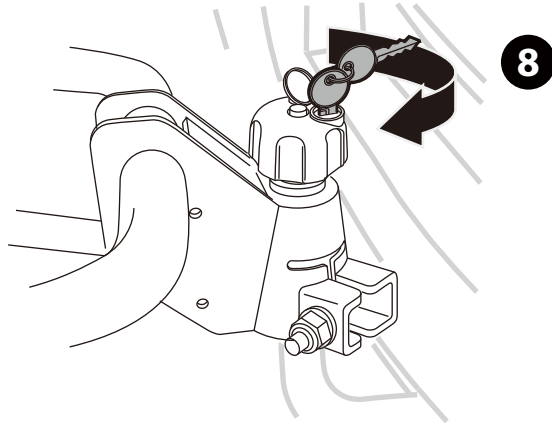
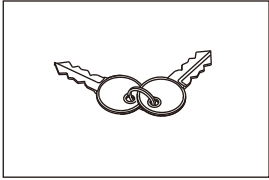


2

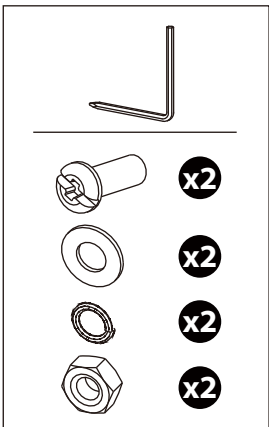
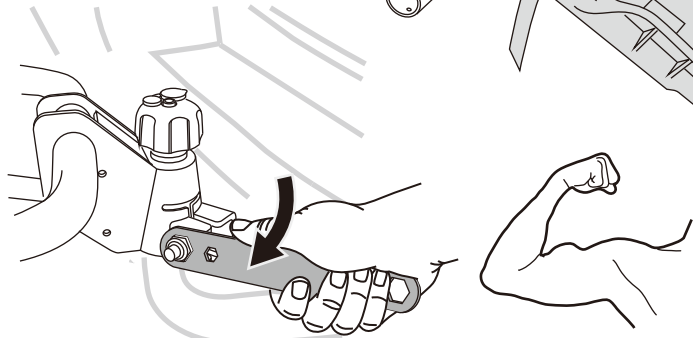
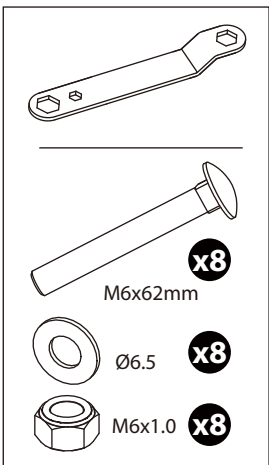
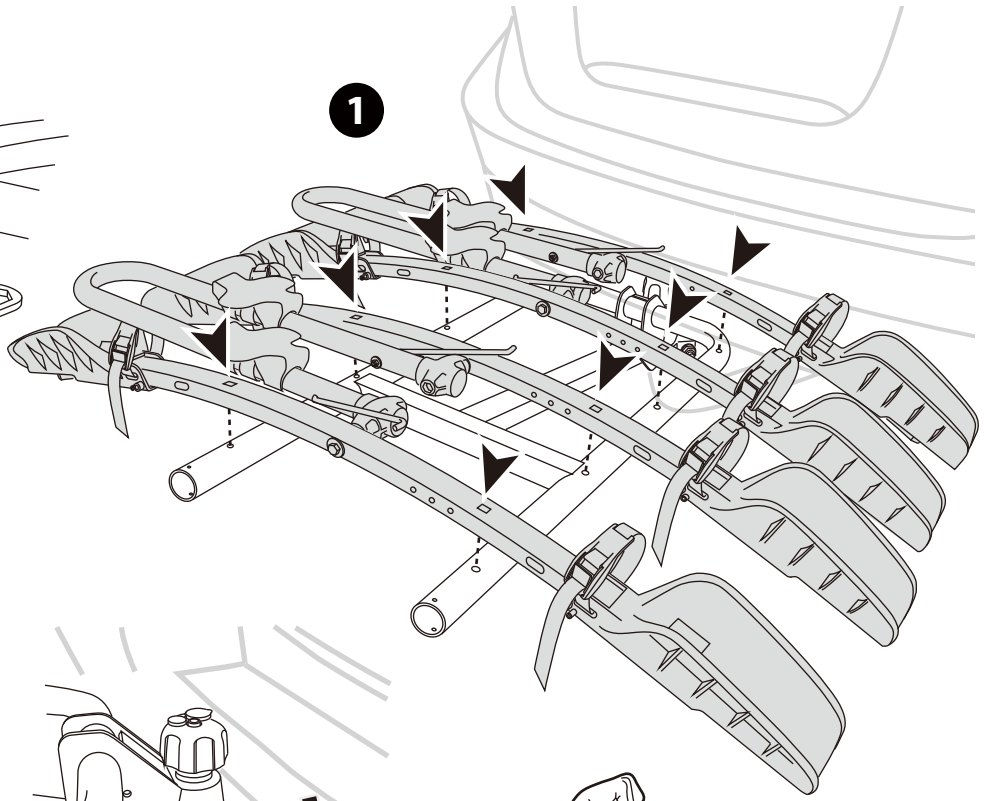




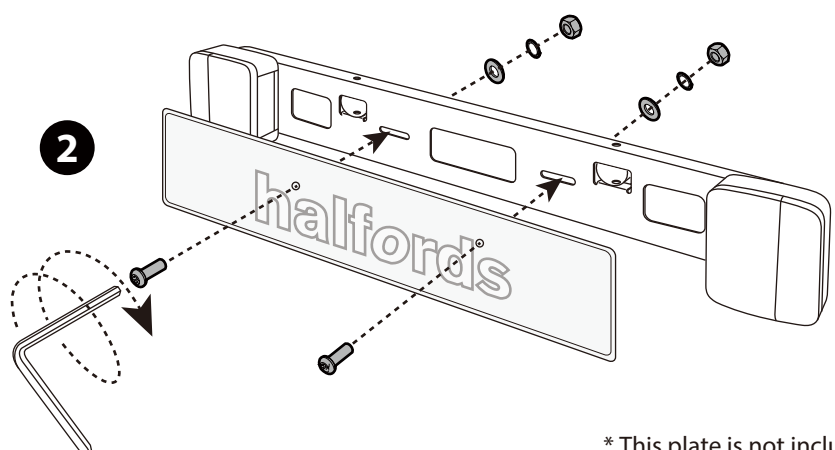




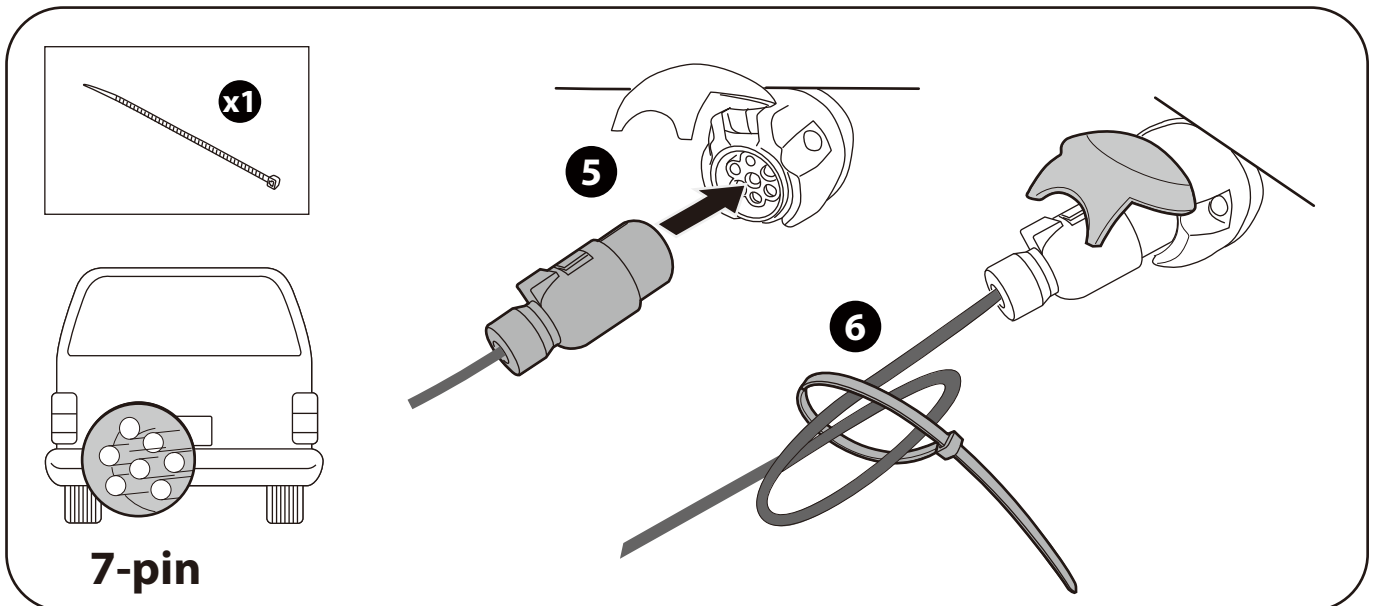
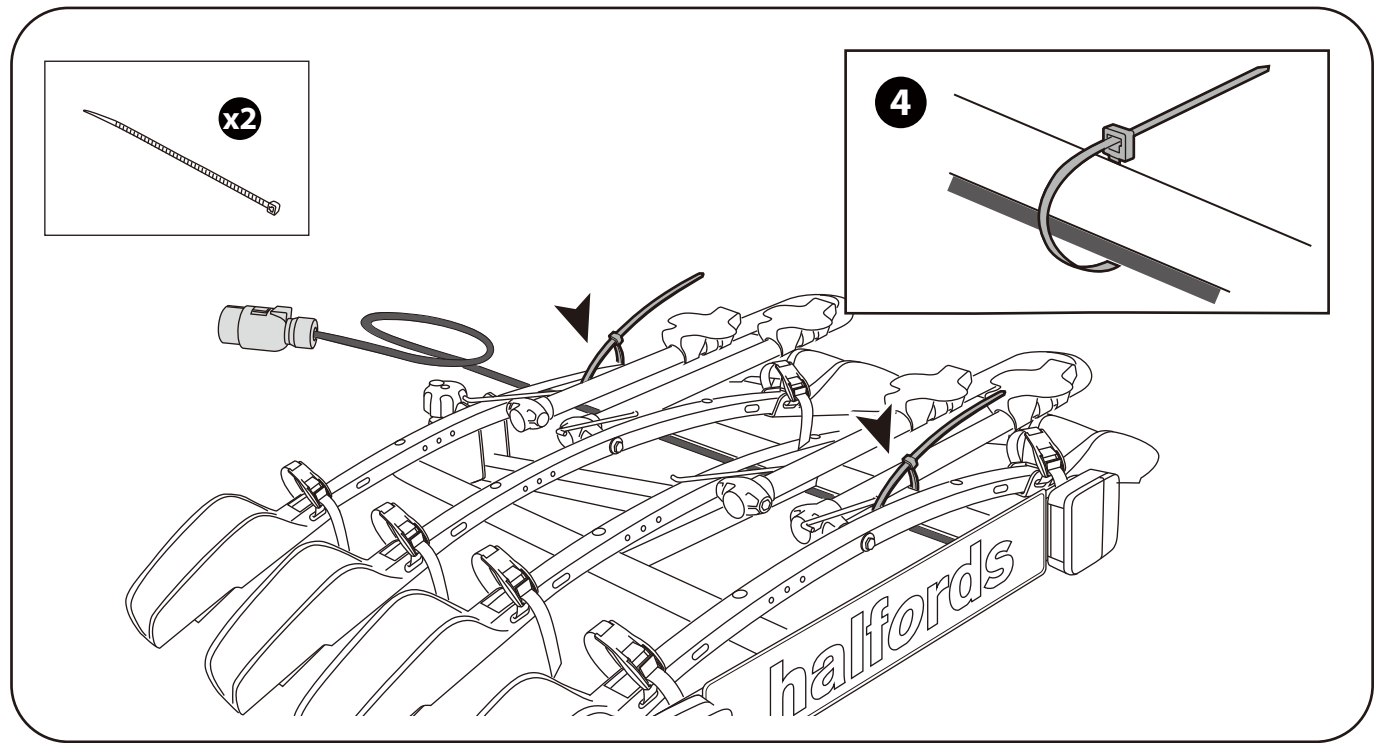
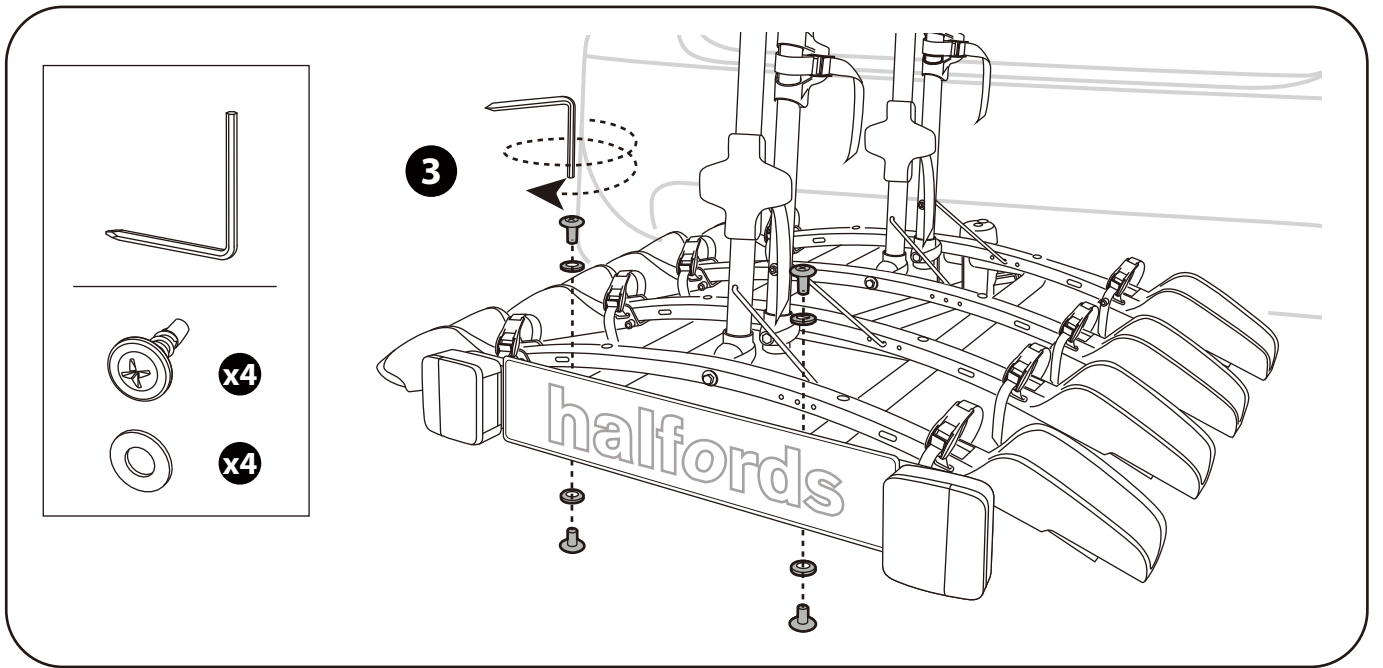
1

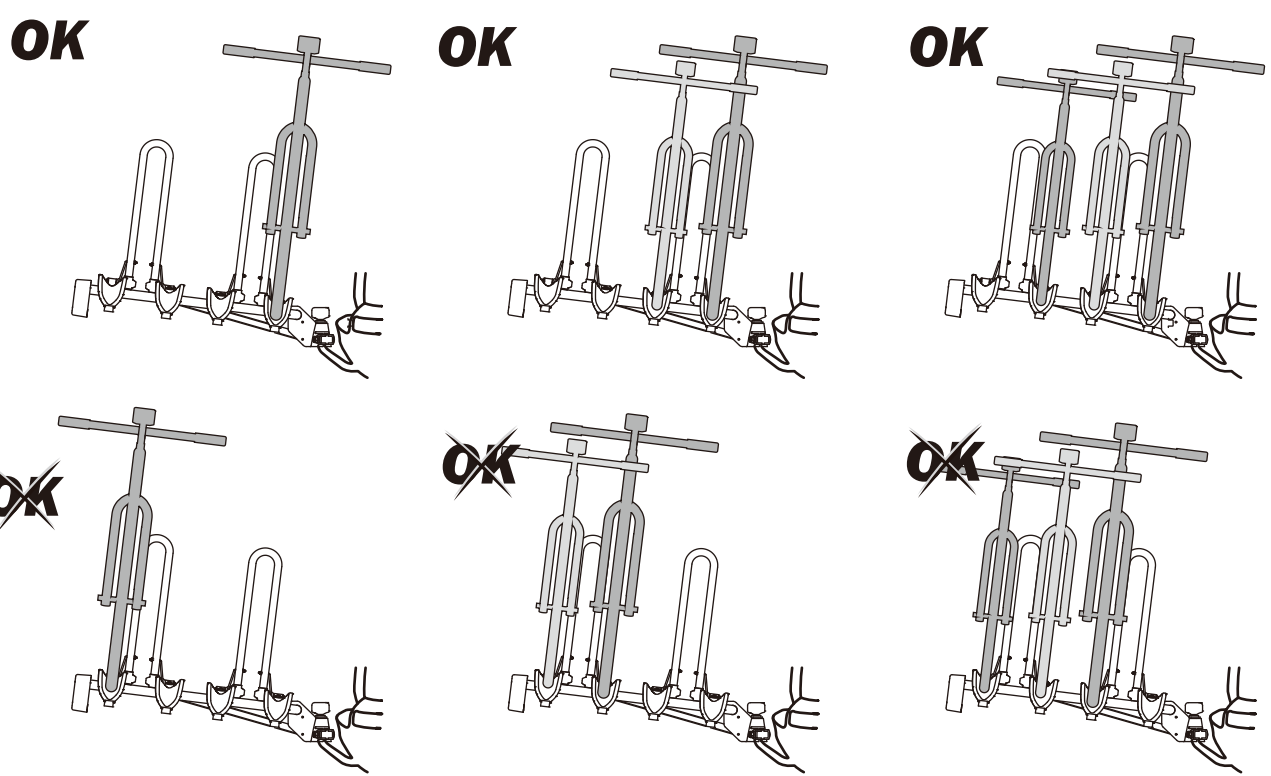
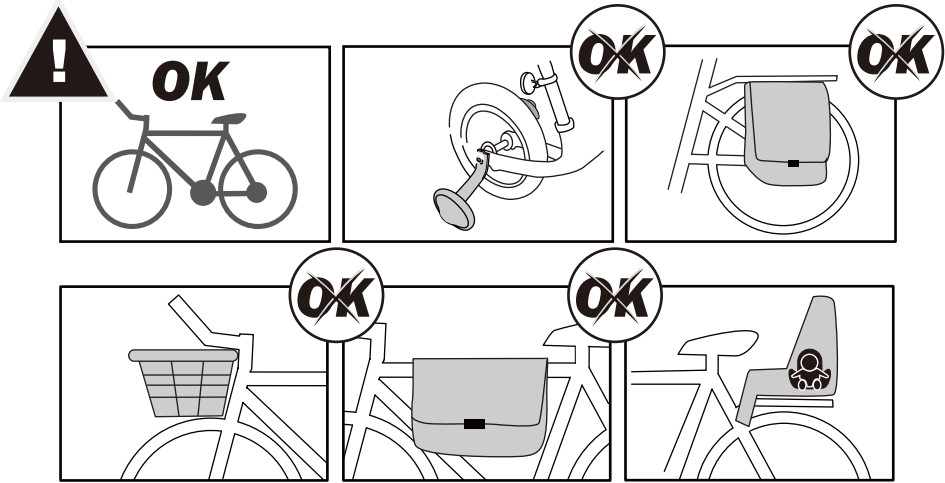


2

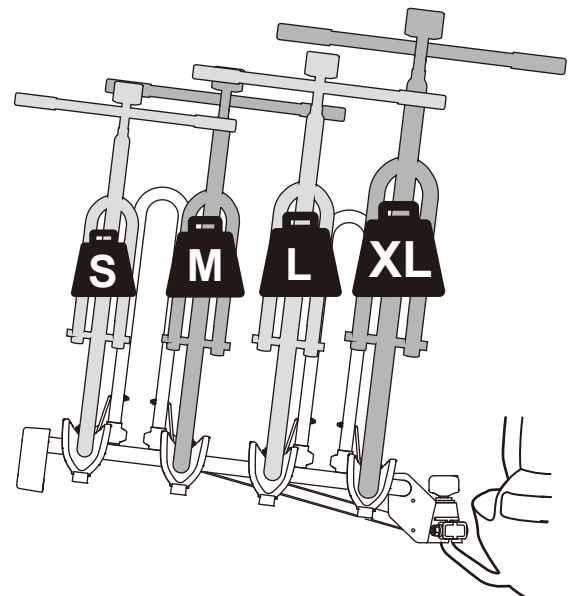


* This plate is not included.

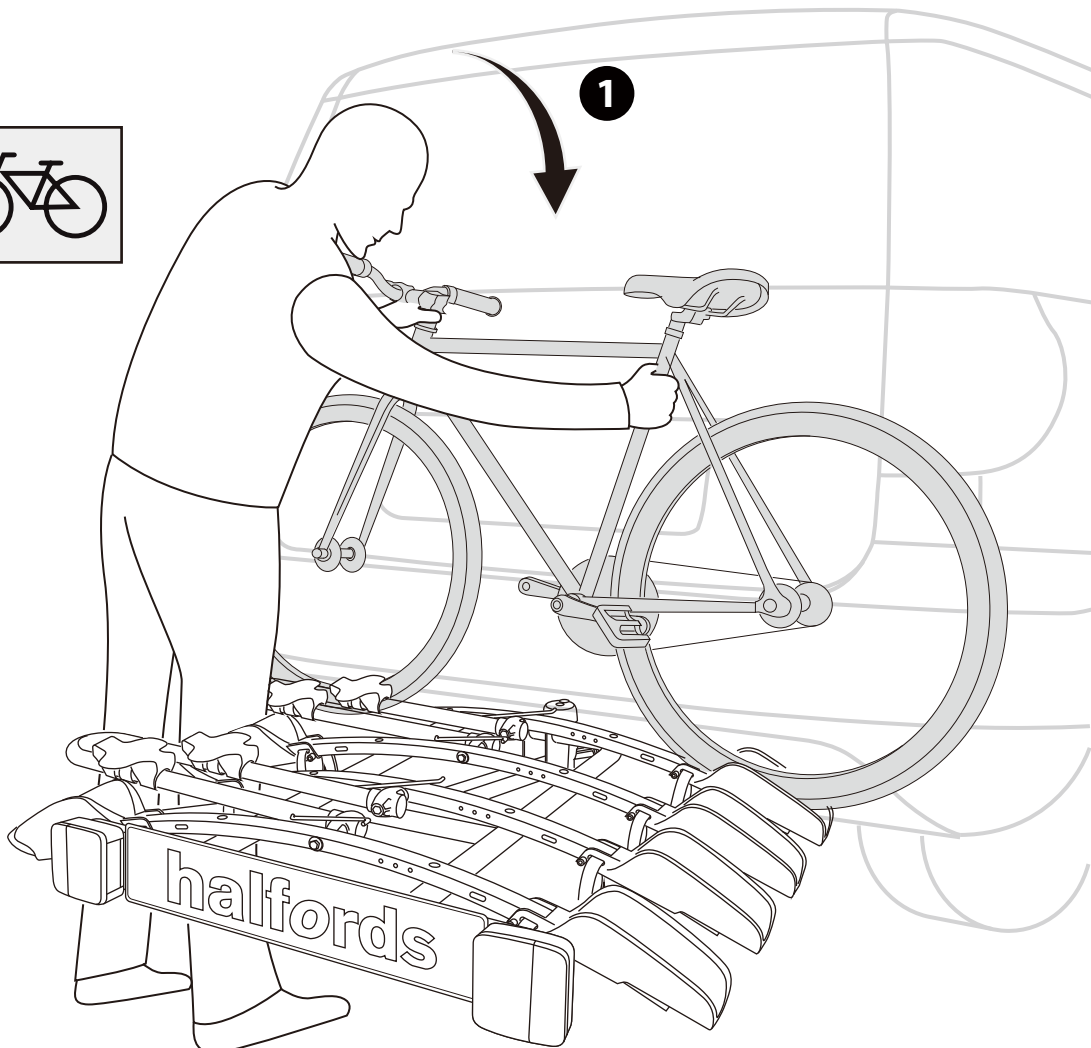
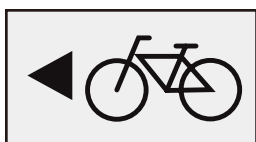
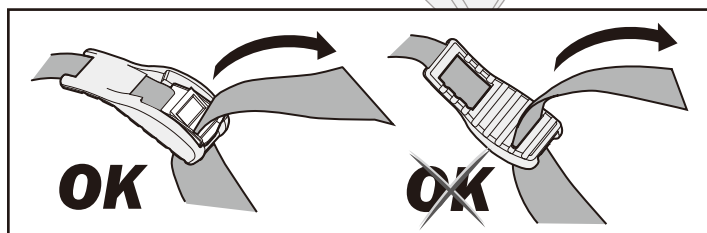
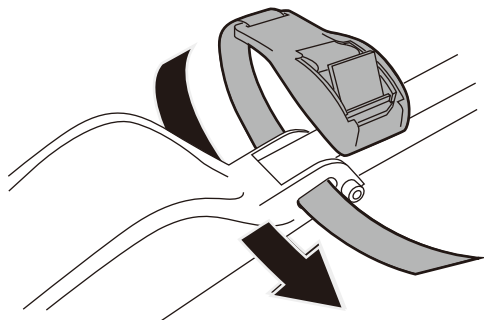
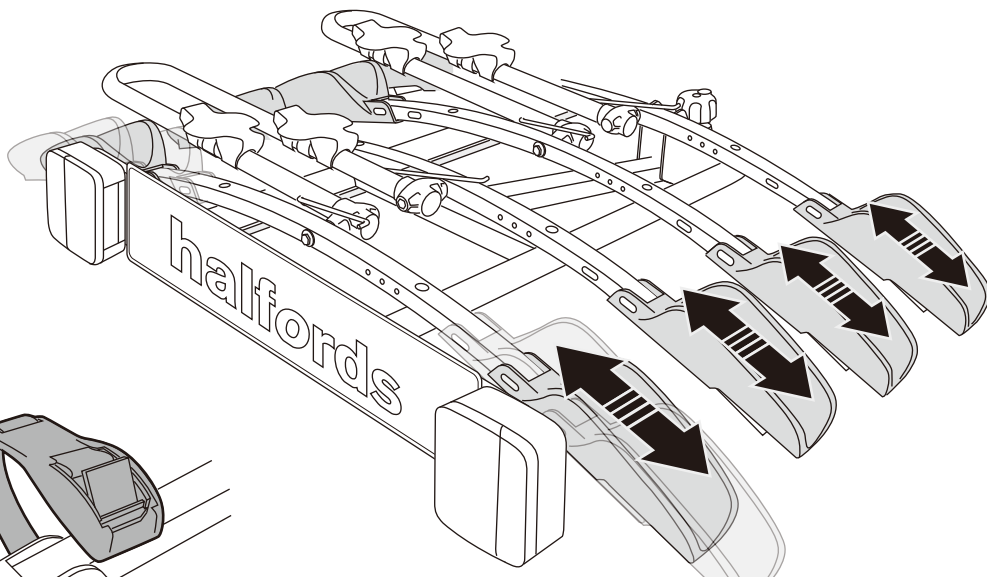


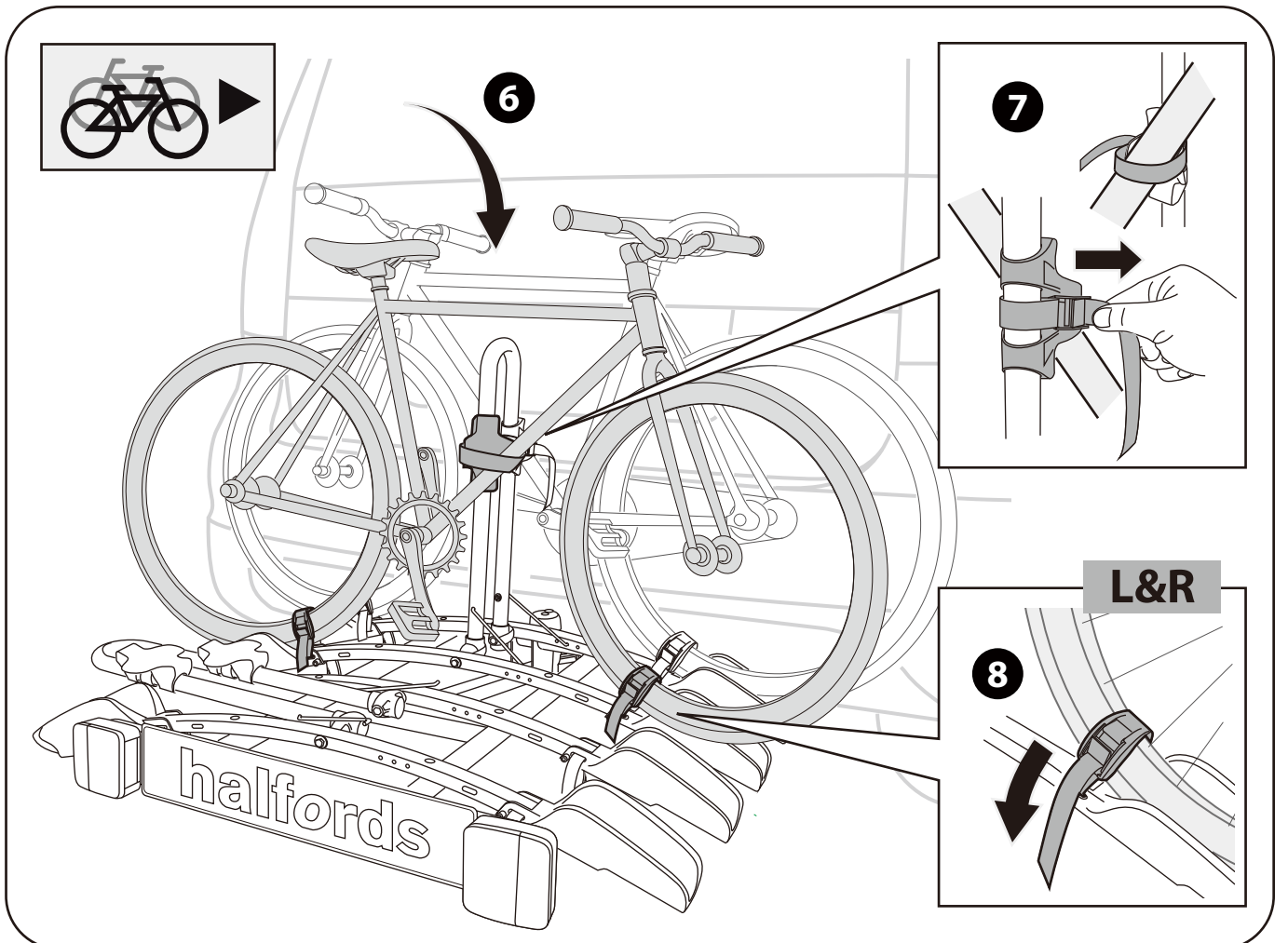
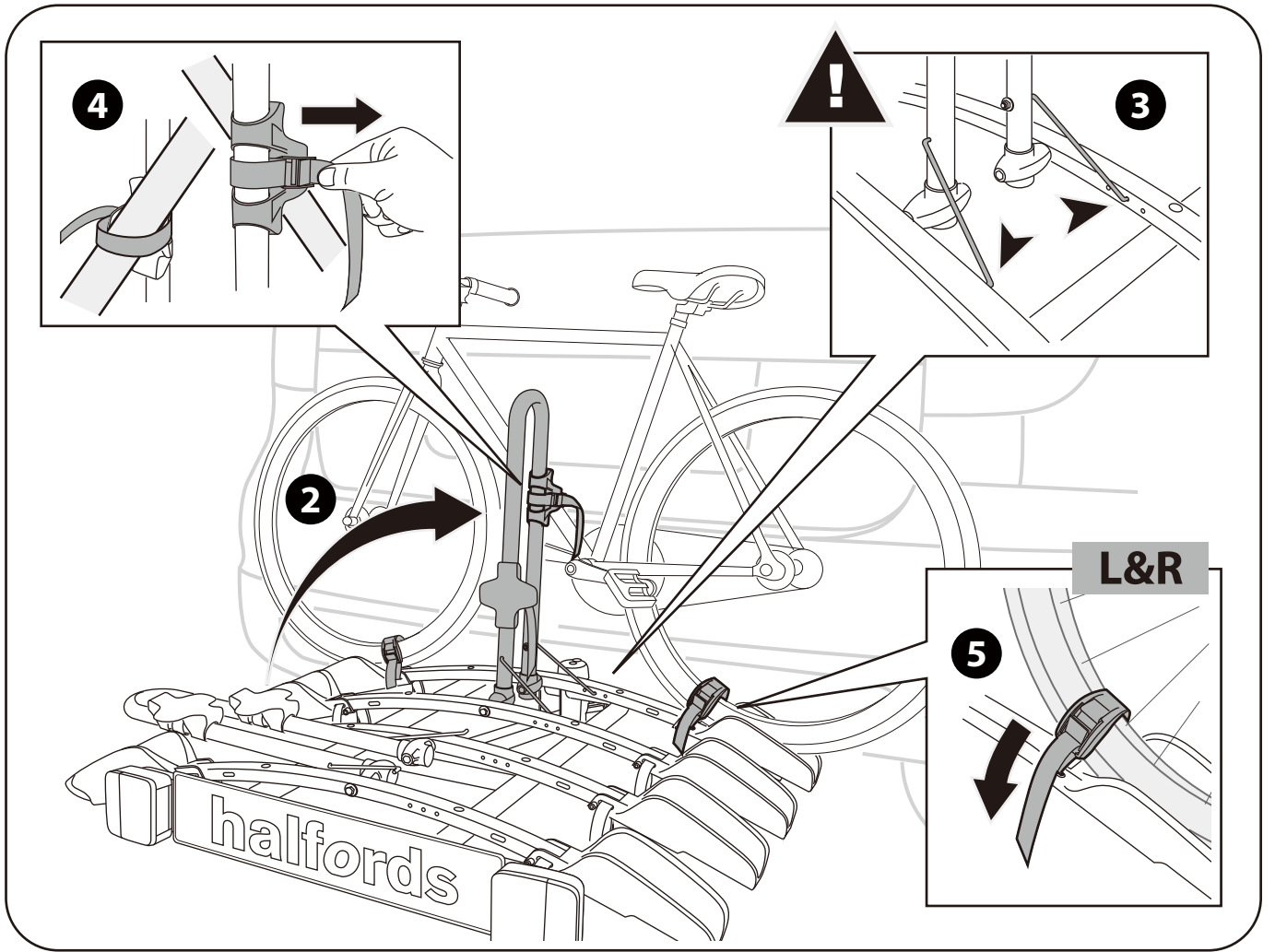


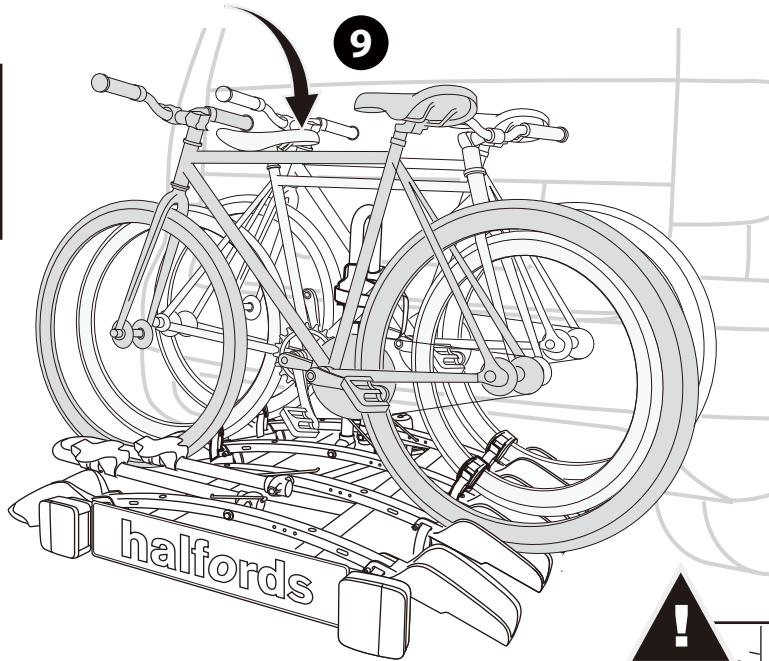
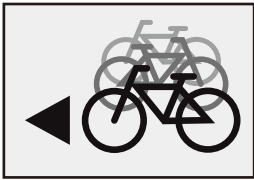
!	1	1 x 15 kg MAX	!
	2	2 x 15 kg MAX	
	3	3 x 15 kg MAX	
!	4	4 x 15 kg MAX	!



MIN 24" / 61cm
MAX 55" / 140cm

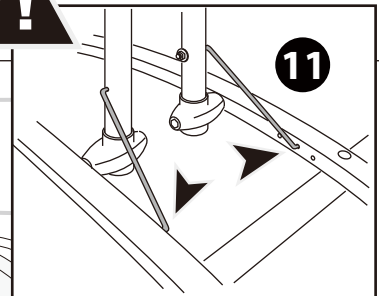




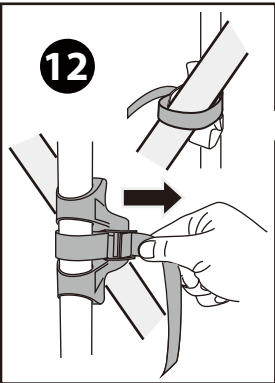


9

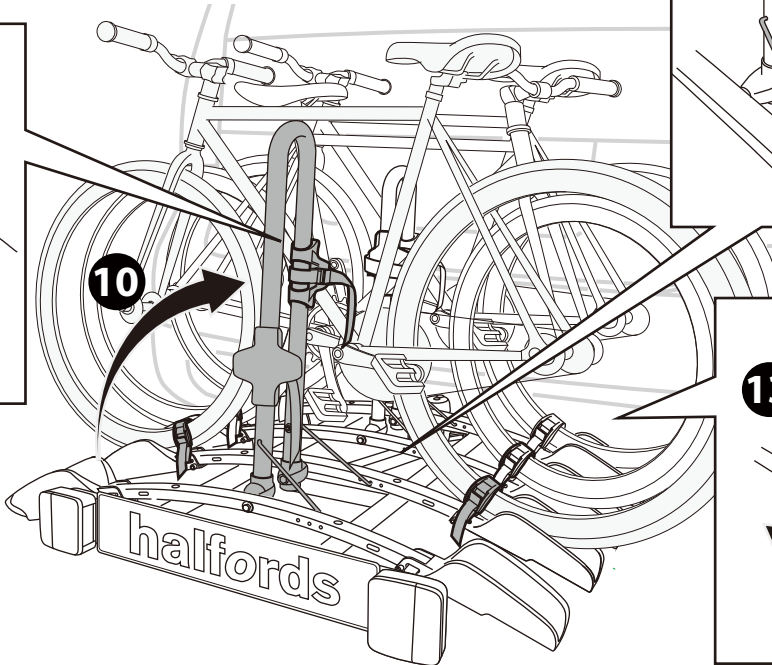
halfords



11

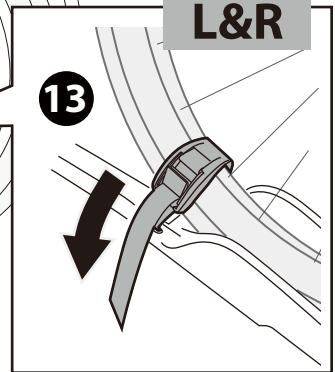


12



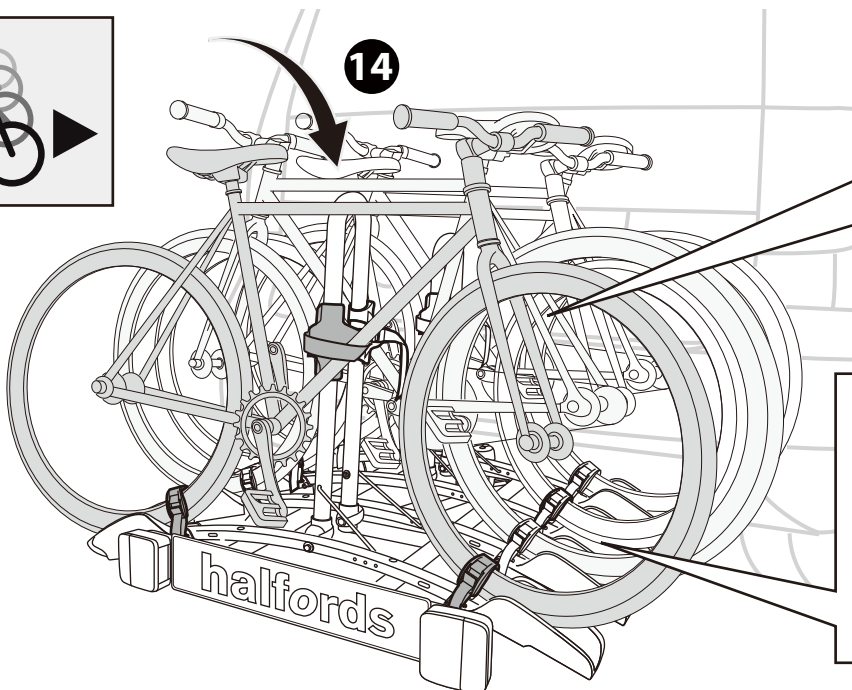
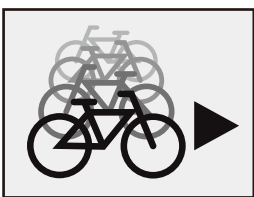
10

halfords



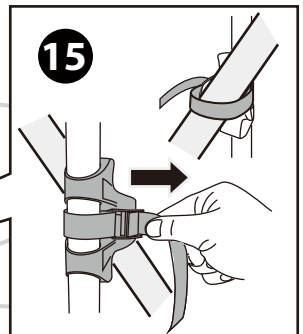
L&R

13

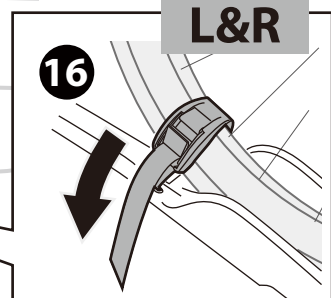


14

halfords

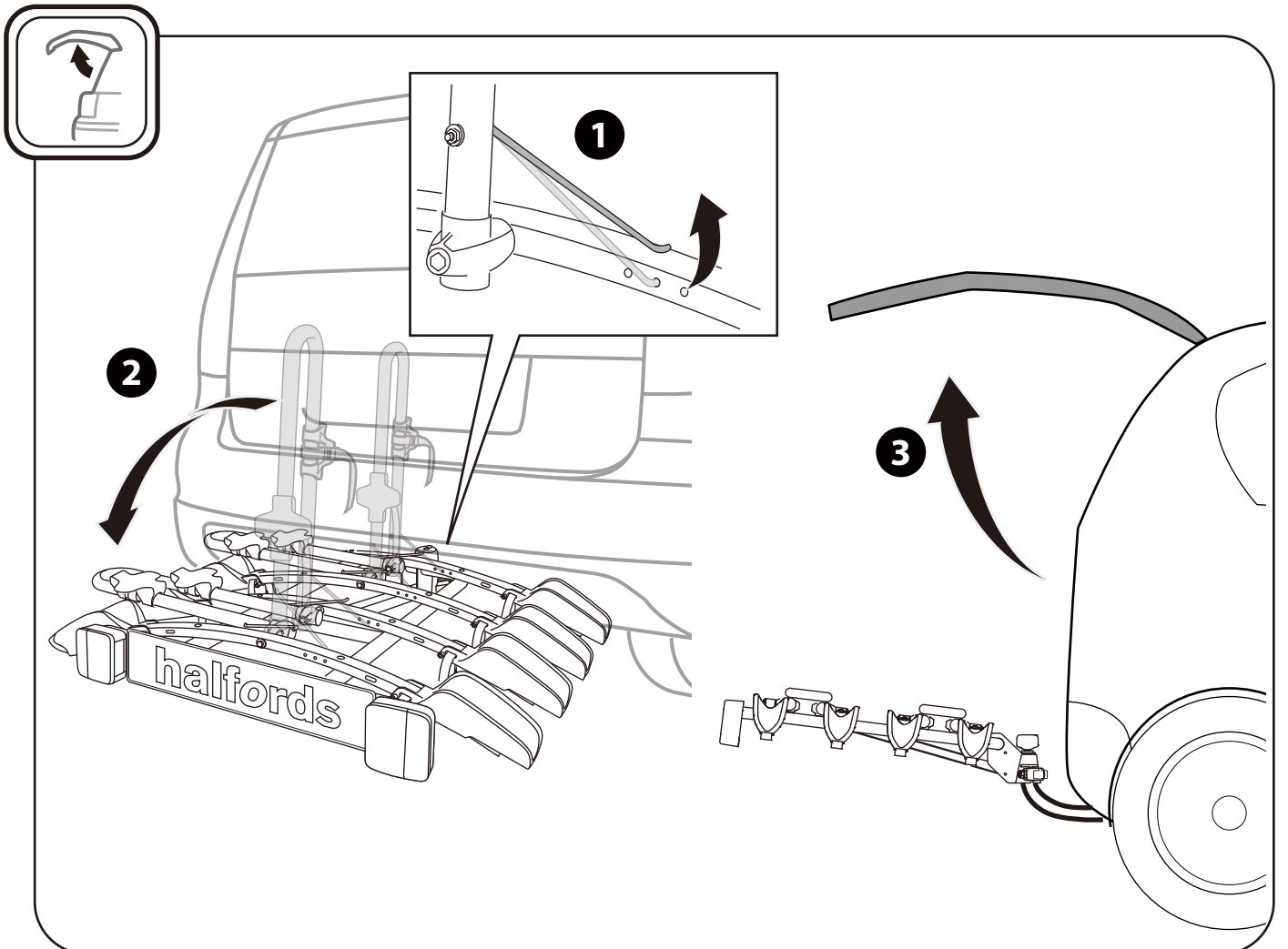
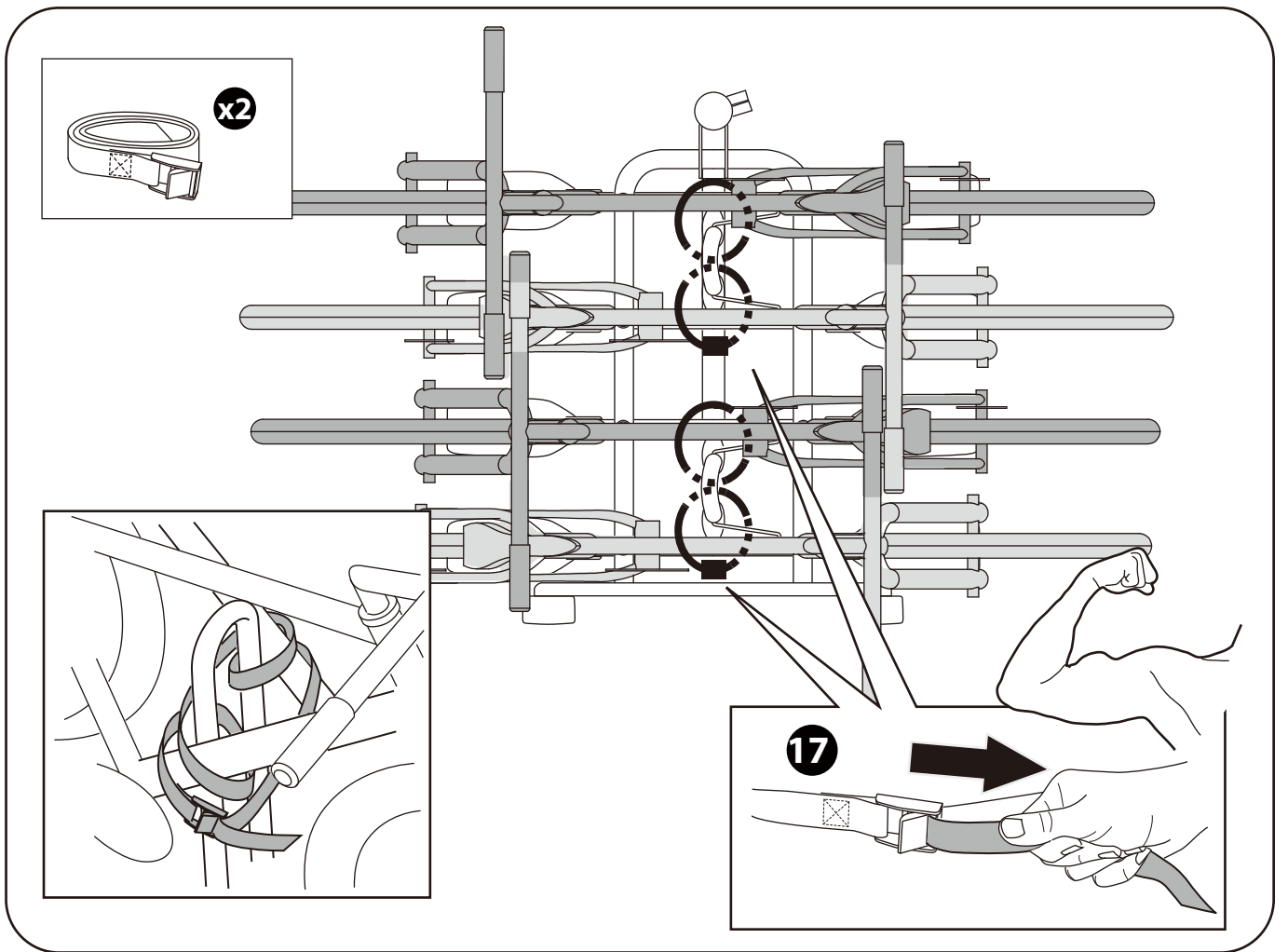


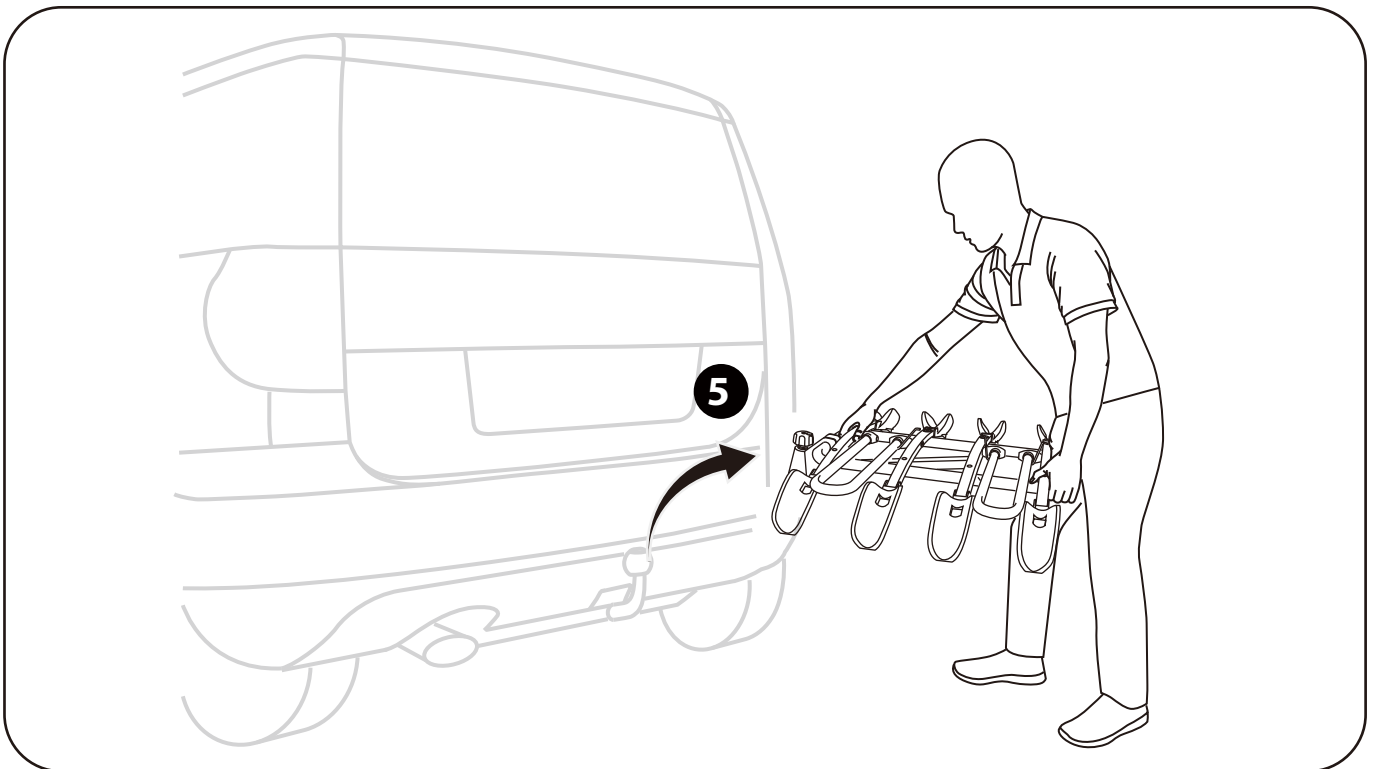
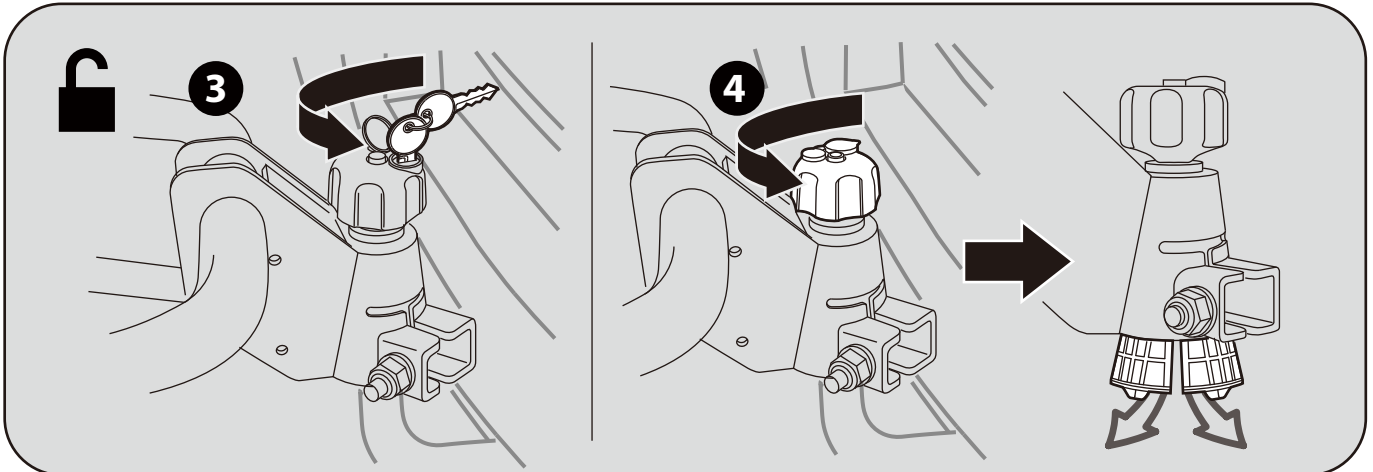
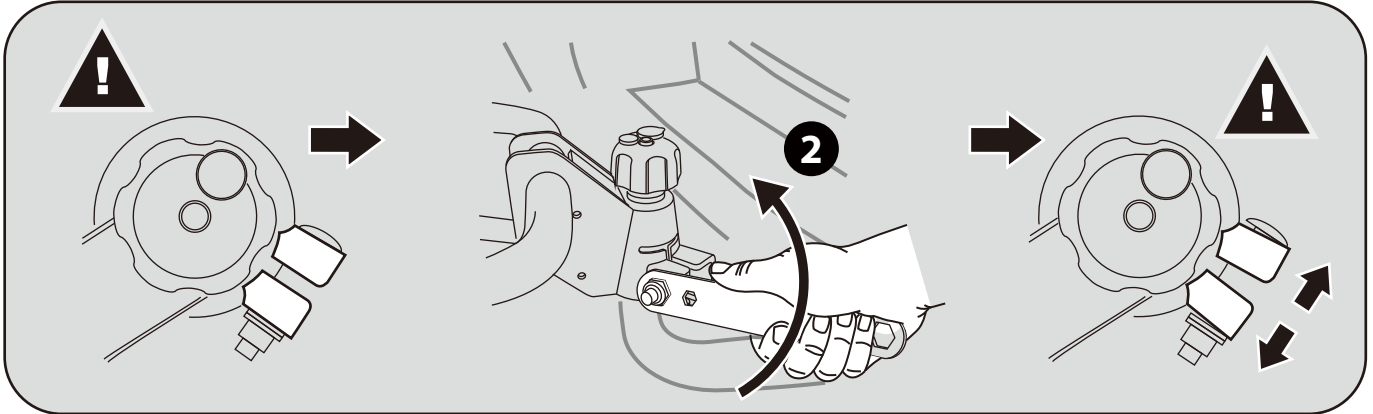
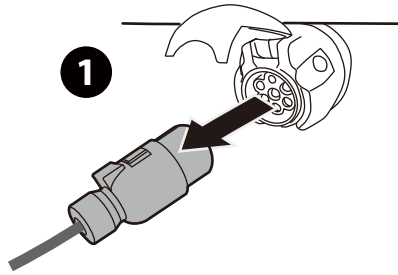
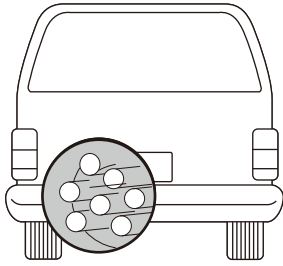
15



L&R

16






WARNINGS

Ensure that you keep the spanner included with the carrier safely.

The vehicles length increases when the bike carrier is fitted. Take additional care when reversing and turning, and be aware that parking sensors may not operate accurately or at all with the carrier in place.

Ensure that the carrier and bikes are kept clear of exhaust pipes.

Open tailgates and boots manually from the outside of the vehicle to prevent contact with the carrier and bikes.

 **Important** : Improper mounting or improper use may have dangerous consequences for you and for those around you for which you shall be fully liable.

- To ensure your personal safety and that of other users and to minimize liability risks, we ask that you carefully read these instructions. If you need further information or assistance; then please contact a member of our in store team.
- Carefully read these instructions before attempting to fit the carrier.
- Do not attempt to fit the carrier if damaged; spare parts are available to order in store.

LOADING BICYCLES

- Make sure that all bicycle parts are securely fastened, All accessories and removable devices must be removed from the bicycles before being transported (water bottle, removable lights, pump, etc.) to avoid loss.
- Do not exceed the maximum permitted nose weight for the vehicle. Please refer to the Vehicle handbook for the nose weight.
- It is the user's responsibility to ensure conformance with regulations applicable for each relevant country.
- Ensure all strap ends are secured
- The registration plate and lights must remain visible.
- Never leave the cycle carrier attached to the vehicle in automated car washes, especially roller washes.
- Remove the bike carrier when not in use

DRIVING

- Before departure and regularly throughout the Journey, check that all straps and fixings are securely fastened.
- Take care when on uneven roads and surfaces.

halfords

www.halfords.com