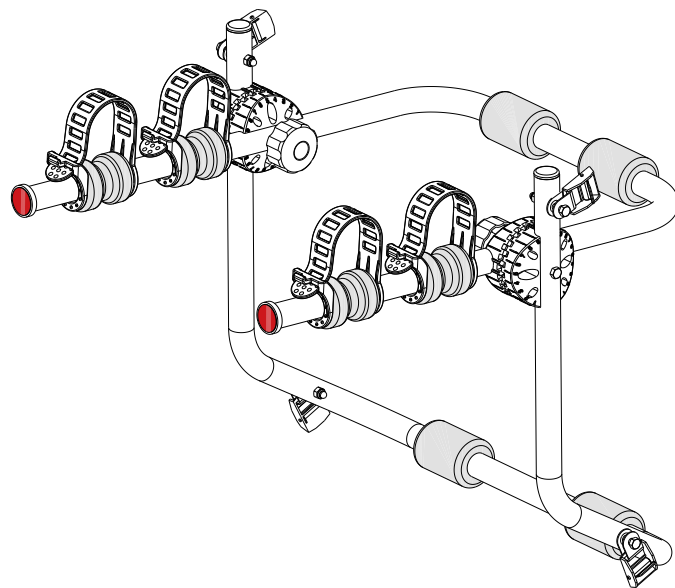



# HALFORDS REAR LOW MOUNT BIKE CARRIER

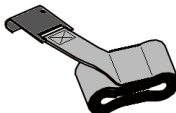
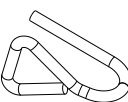
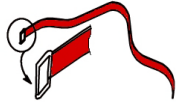


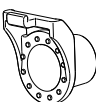
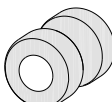
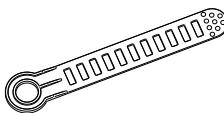
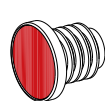
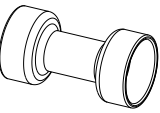
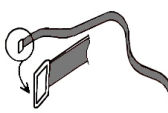
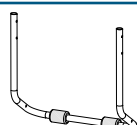
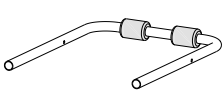
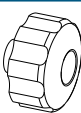
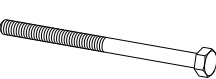

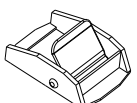
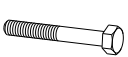
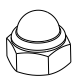

x2  15kg max

 30 kg max.



Tools required for assembly  
(not included)

x2 

A x2 	B x2 	C x1 (red) 	D x1 (red) 
E x4 	F x4 	G x4 	H x4 
I x2 	J x2 	K x2 (black) 	L x1 
M x1 	N x2 	O x2 	P x4 
Q x4 	R x4 	S x4 	T x2 

Thank you for choosing this product, we hope you will be satisfied with it.

**It is essential that you read these instructions before use.**

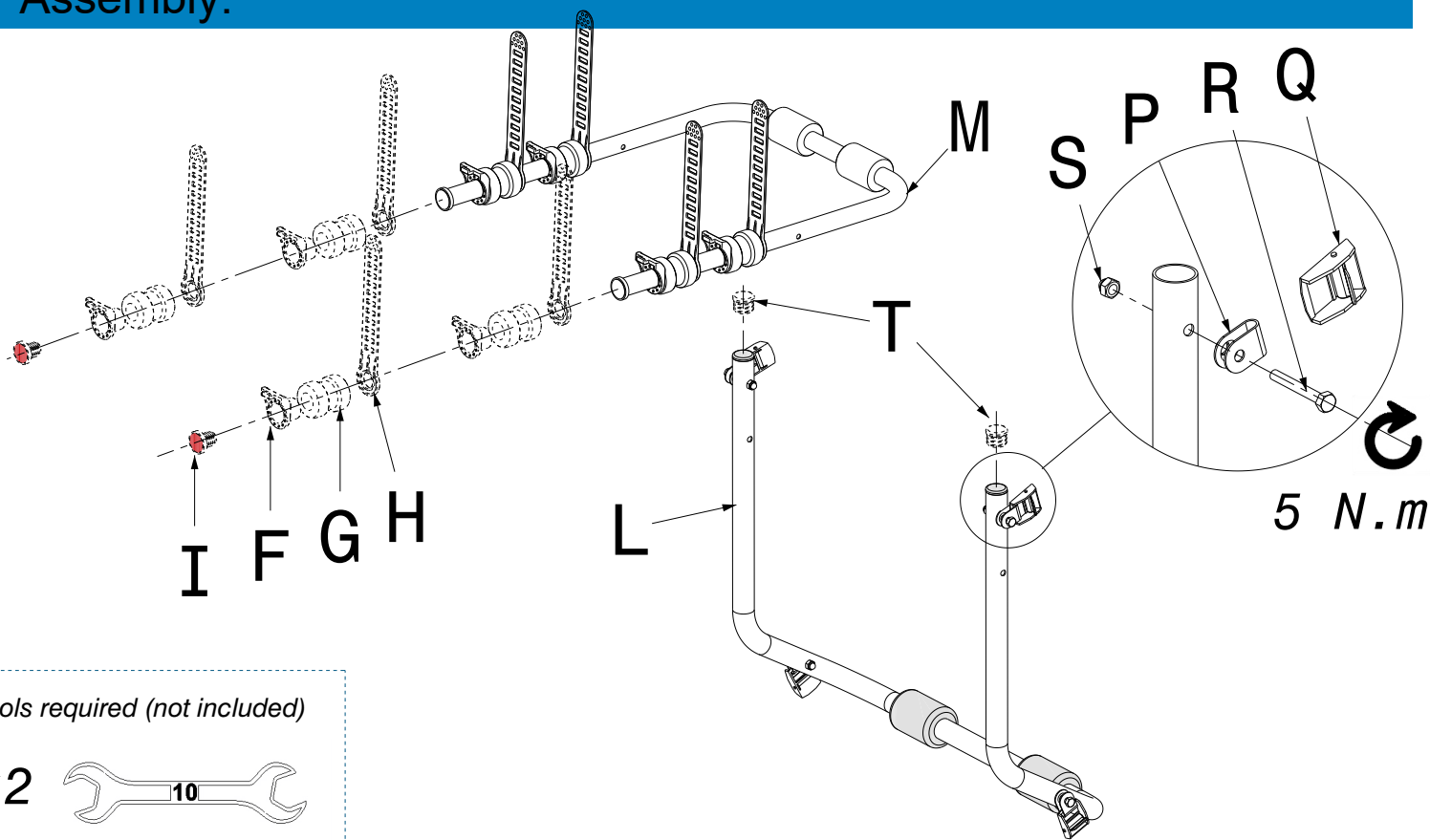
**Carrier Weight 4.2 kg / Maximum permitted load on cycle carrier: 30 kg or 2 bicycles. (2 x 15kg )**

This cycle carrier must not be used on vehicles other than those indicated in the vehicle application list.

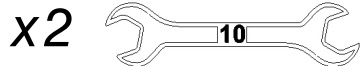
- For the safety of you and other users and to limit your liability, read the instructions carefully; they are not meant to be exhaustive and do not absolve you from your duty to respect basic common sense rules.
- Keep these instructions in your vehicle and ensure that they are read by any person who uses this cycle carrier or drives the vehicle while it is fitted.
- The cycle carrier may only be used for transporting bicycles.
- Look after the straps and only use them if they are in perfect condition. Do not use them for other purposes or with other fixing buckles.
- Check that bicycle components are properly secured (wheels, saddle, etc.). You must also remove detachable accessories from bicycles (drinks bottle, removable lights, pump, etc.).
- Do not exceed the rear load limit of your vehicle.

**Not suitable for vehicles with modifications E.g. Rear spoilers**  
**Not suitable for sports cars due to lightweight or composite body panels**  
**Not suitable for cabriolet vehicles due to complex hood folding mechanisms**  
**Not suitable for vehicles with side opening or split tailgates**  
**Spare straps are available from your local store.**

# Assembly:

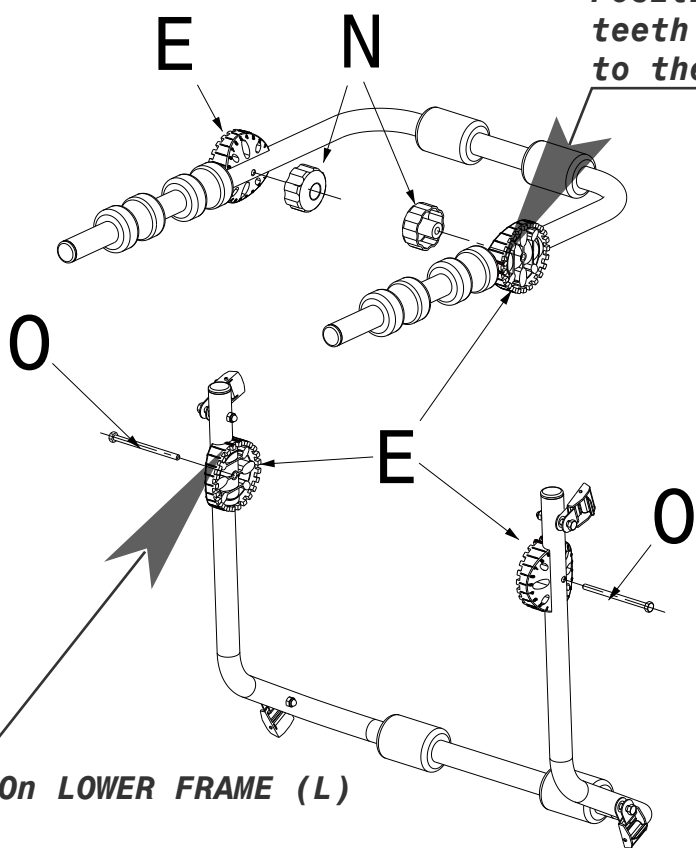


Tools required (not included)



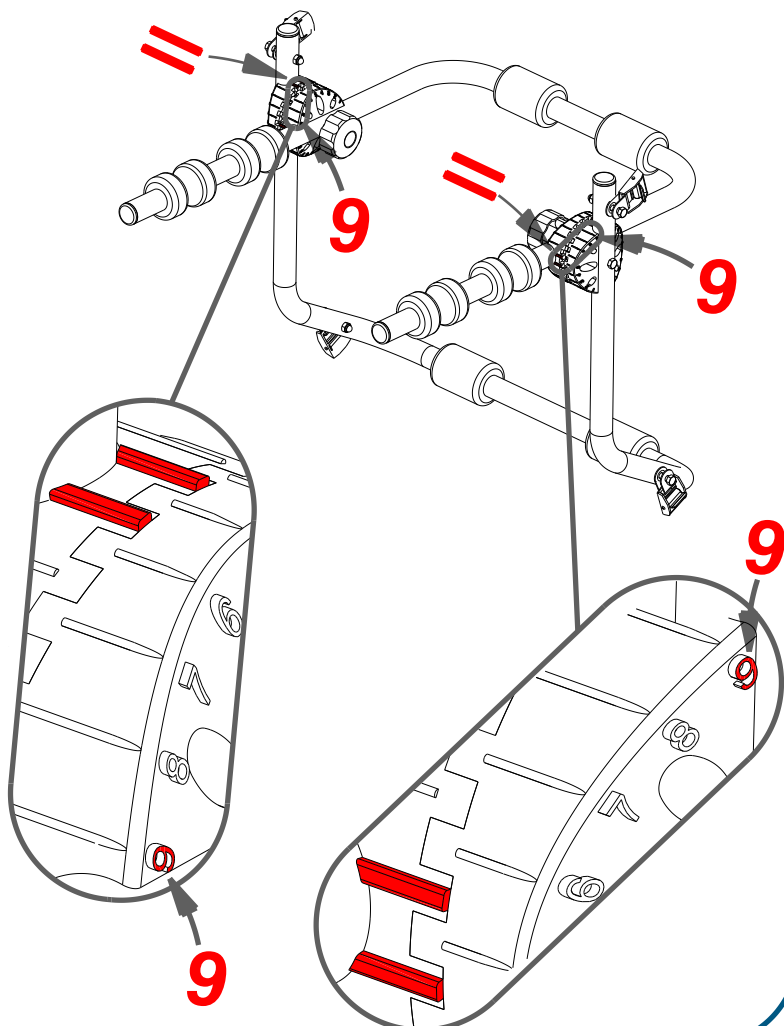
On UPPER FRAME (M)

Position the 2 ratchet adjusters (E) with the teeth facing outwards and the number 9 closest to the ends.



On LOWER FRAME (L)

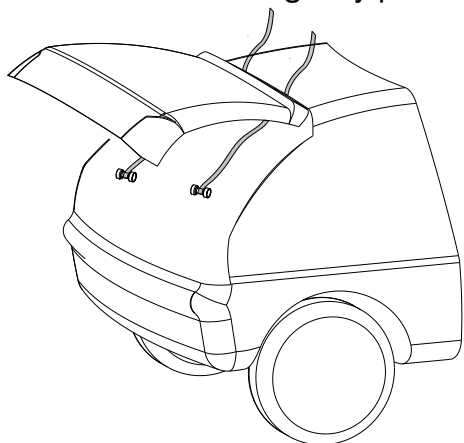
Position the 2 ratchet adjusters (E) with the teeth facing inwards and the number 9 closest to the ends.



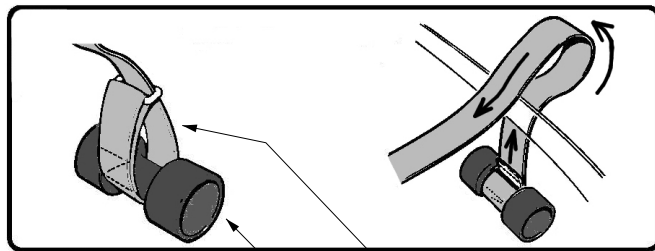
## 1 - Fitting the upper straps:

Open the boot, and from inside your vehicle thread the straps over the top edge leaving the dumbbells hanging free.

Carefully close the boot and gently pull the straps until the dumbbells sit firmly against the interior trim



Attachment of the upper straps to the vehicle.

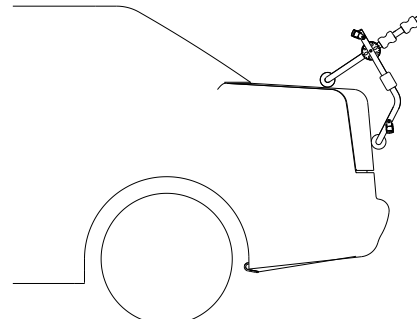
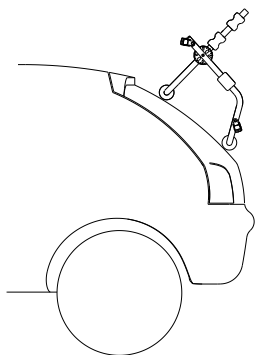
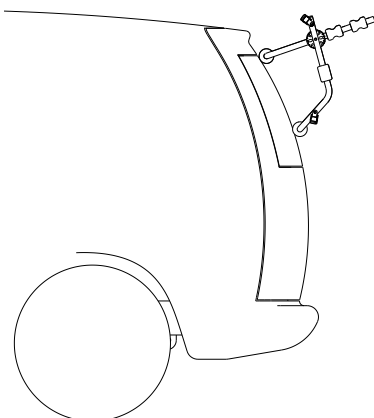
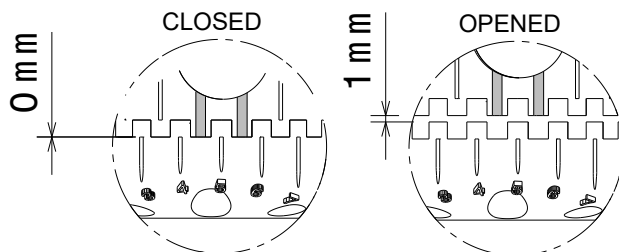
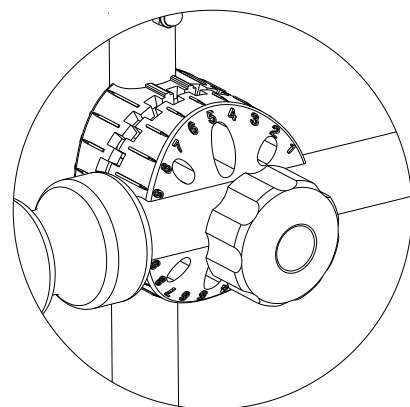
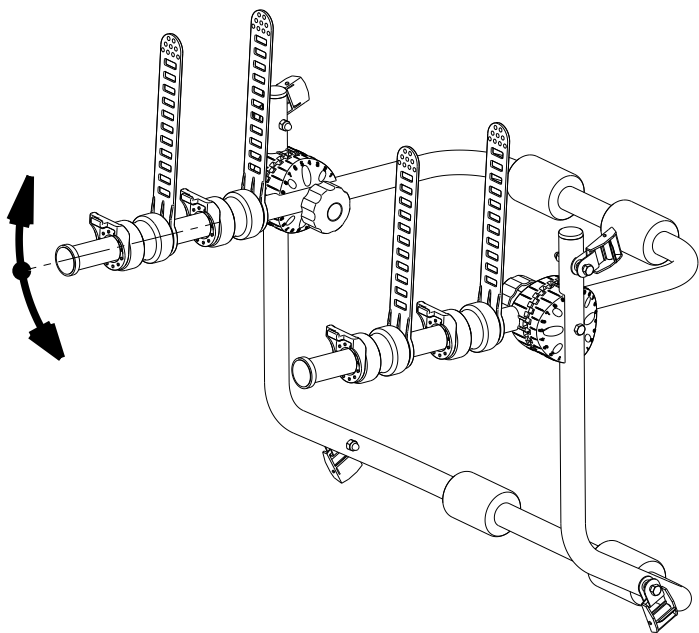


**J K**

## 2 - Adjusting the cycle carrier:

- Re-tighten the handles.

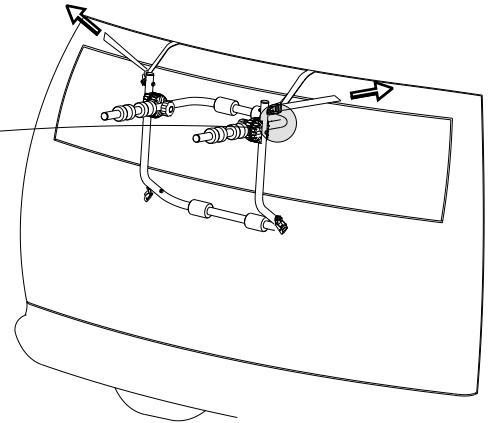
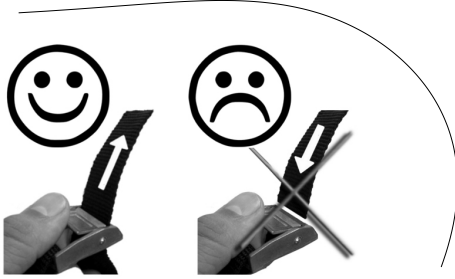
- ENSURE THAT THE SUPPORT ARM IS PROPERLY LOCKED IN POSITION WHEN CLOSED.



### 3 - Fitting the cycle carrier to the vehicle:

- Pass strap (K) through the top buckles (Q).
- Tighten the upper straps, so that the carrier hangs in the desired position.

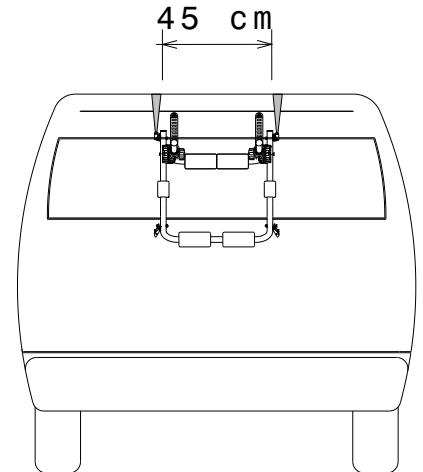
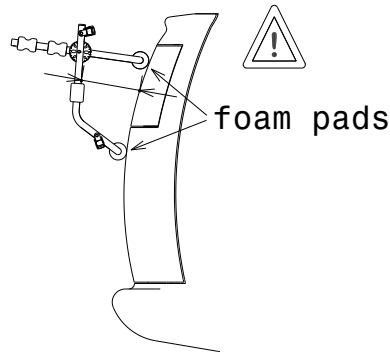
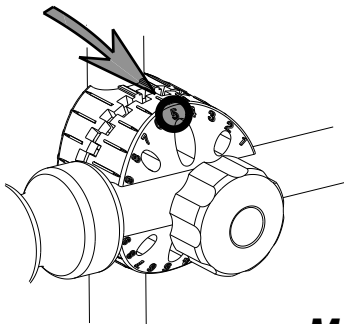
**INSERT THE STRAP IN THE CORRECT DIRECTION.**



### 4 - Checking:

- Check that the foam pads only are in contact with a sufficiently solid part of the bodywork (bumper, strengthening bar, rib, window, etc.) and check the strength of the strap attachment points.
- Ensure that no other part of the cycle carrier touches the vehicle. For safety purposes leave a gap of several centimetres between the car body and the cycle carrier framework.

*Tip: For quick set up in the future, take note of the number on the handles and record on the instructions, or mark the numbers with a white pen.*



**Make sure that the foam pads are positioned correctly and that the bike carrier tubes do not touch the car bodywork.**

### 5 - Fitting the lower straps:

- Pass the two lower straps (A) through the lower buckles.

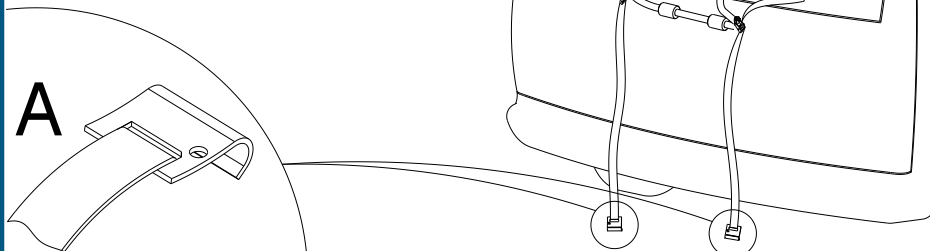
**ENSURE YOU INSERT THE STRAP IN THE CORRECT DIRECTION.**

Attaching to the vehicle:

ON THE VEHICLE CHASSIS (preferred, to a metal part under the vehicle) see Step 5a.

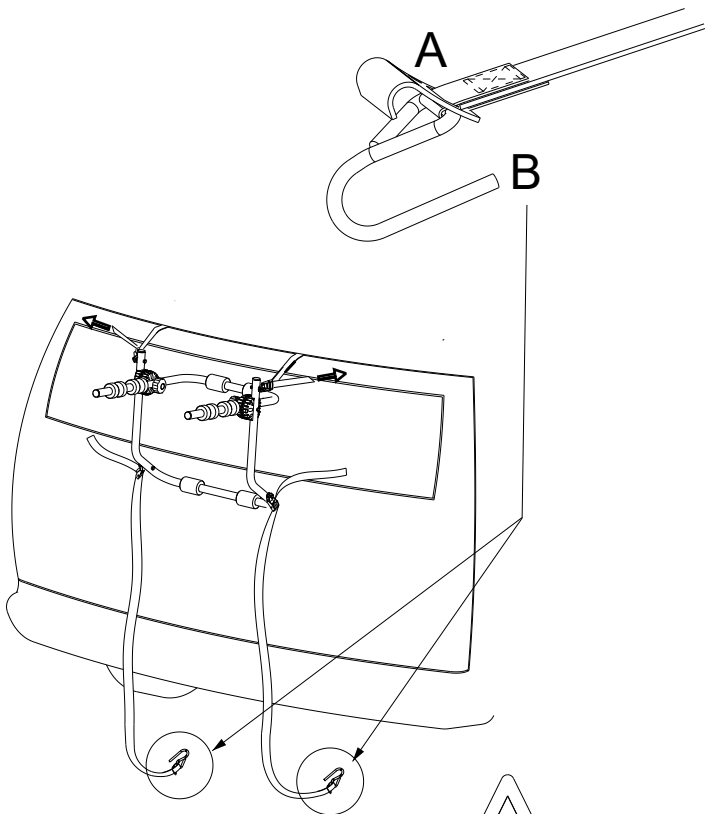
or ON THE TAILGATE (metal tailgate rim) See Step 5b.

**NEVER SUPPORT ON OR FIX TO A PLASTIC COMPONENT.**



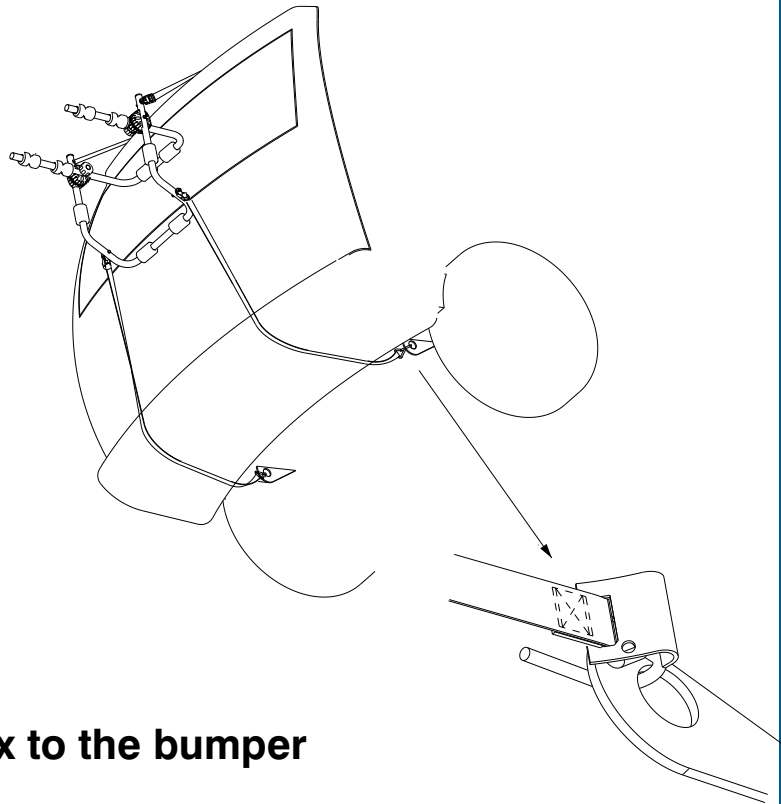
## 5a - Fitting the lower straps to the side beams:

- Pass the two hooks B through the loops formed by the lower straps A.



- Attach the lower straps under the vehicle to a suitable solid anchor point.

- Ensure that the straps are not too close to the exhaust pipe, as there is a risk of damage.

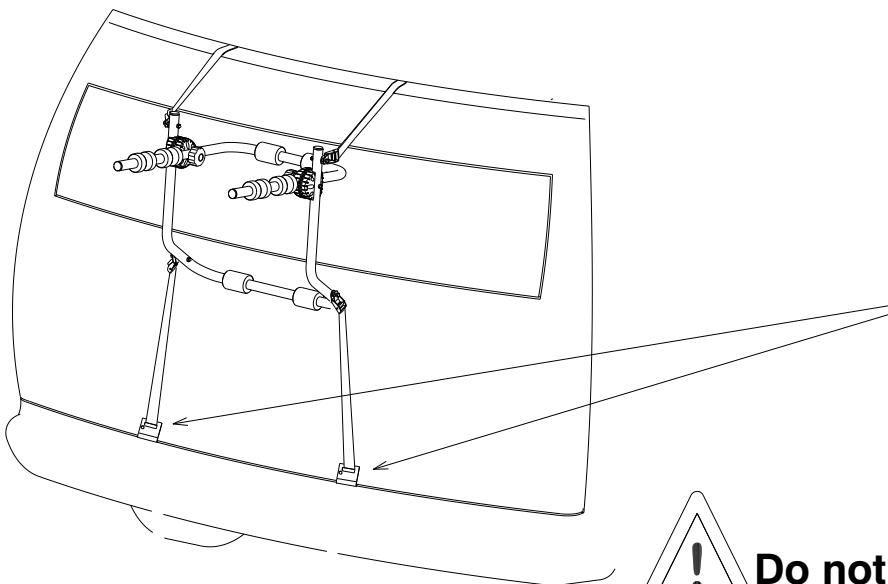


**Do not fix to the bumper**

## 5b - Fitting the lower straps on to the tailgate:

- Attach the two lower straps to the lower metal rim of the tailgate.

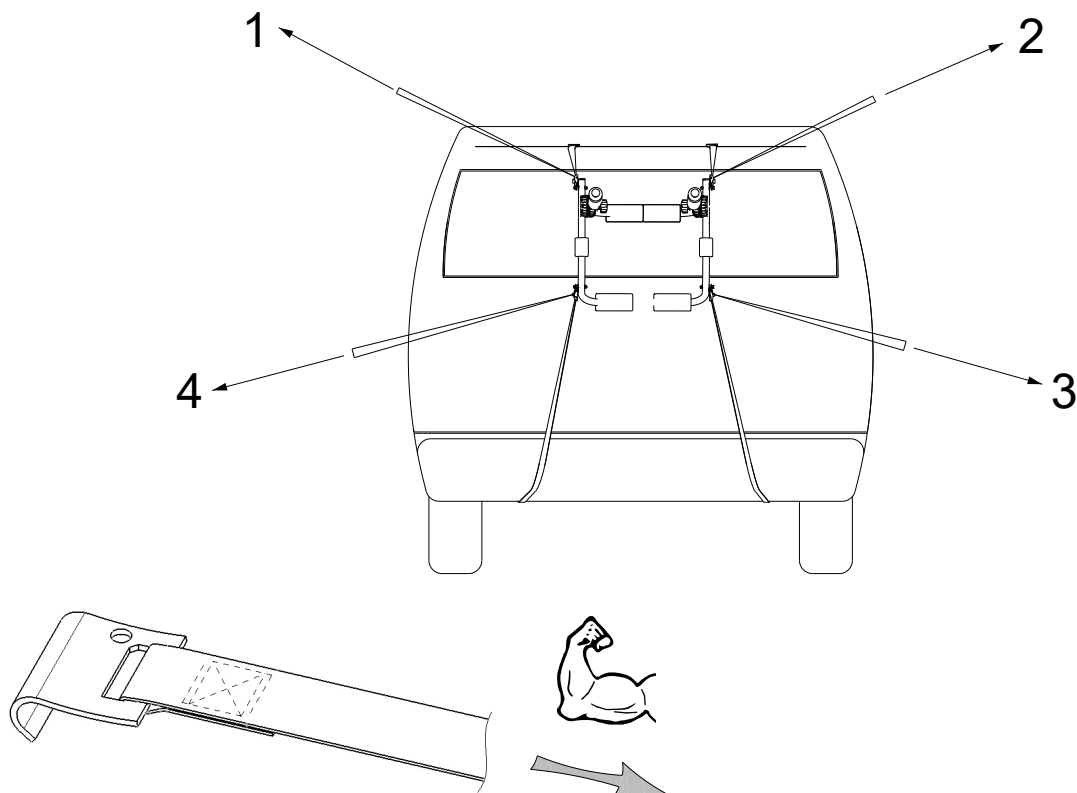
**NEVER SUPPORT ON A PLASTIC COMPONENT.**



**Do not fix to the bumper**

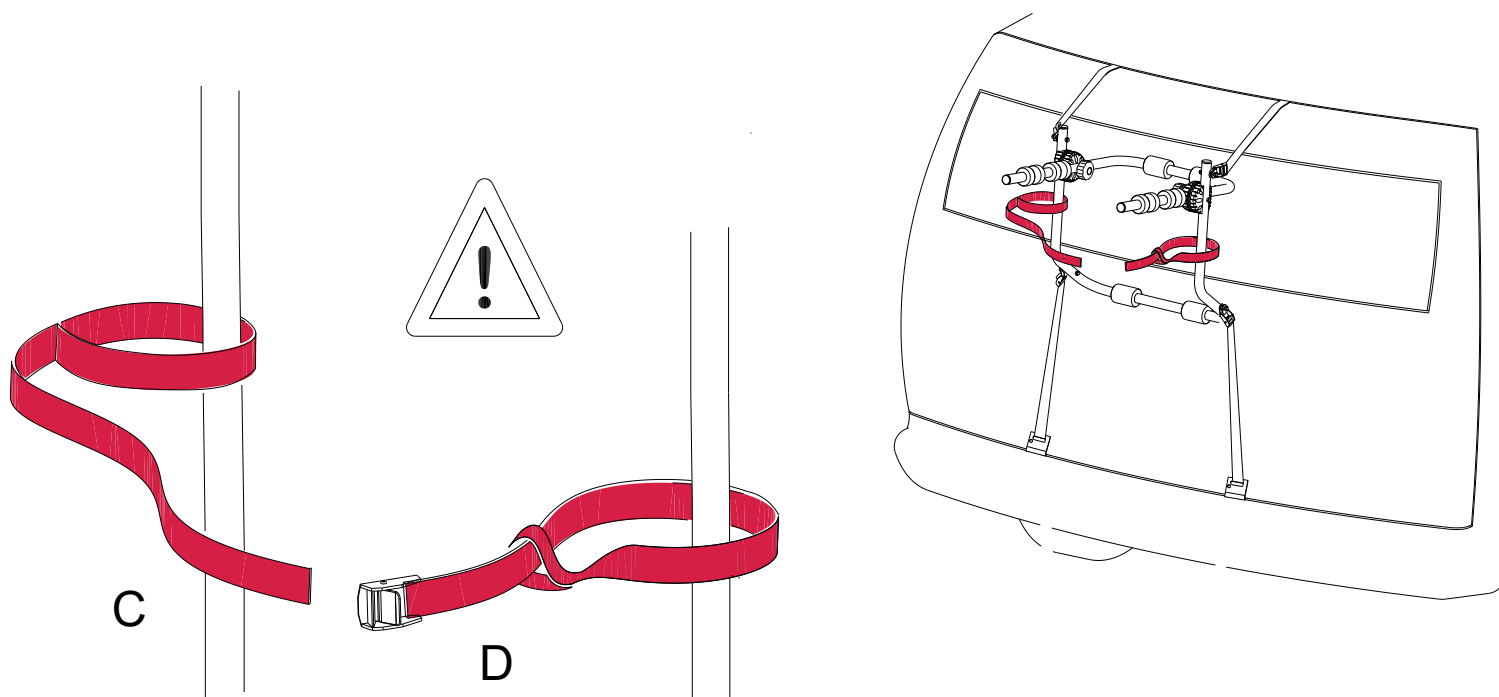
## 6 - Tightening the straps:

- Tighten the straps evenly to obtain perfect positioning on the car.
- Check that everything is properly tightened by pushing the cycle carrier hard in all directions; it should not move on the vehicle. If there is movement, tighten all the straps again.



## 7 - Fitting the bike securing straps:

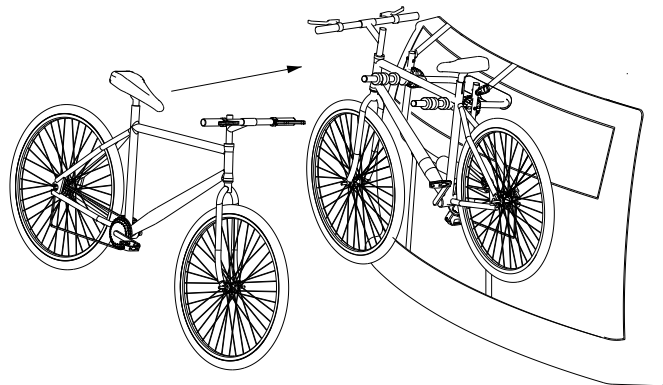
- Attach the bike securing straps (red), C and D, to the cycle carrier frame by threading the ends through the loops of the straps (see diagram).





## 8 - Loading the bicycles:

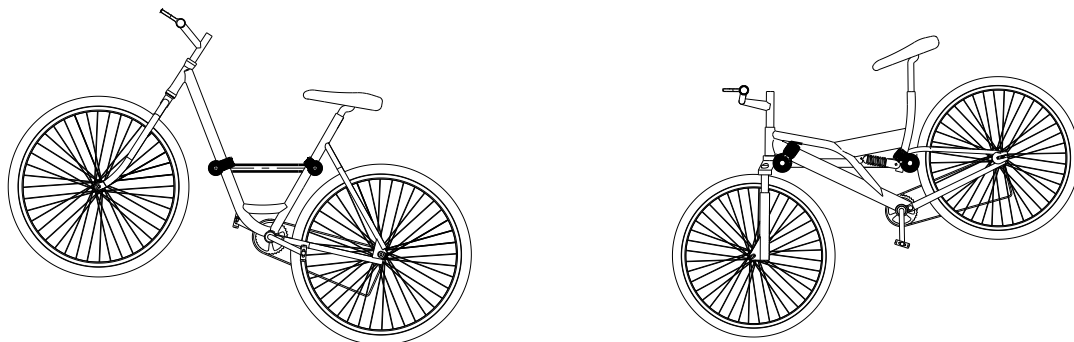
- Position the first bicycle with the chain facing towards the vehicle.
- Fit the bicycles alternately facing in the opposite direction, using the cycle locators (G).
- The bicycles must be distributed correctly on the cycle carrier, and as close to the vehicle as possible. The centre of gravity of the assembly must be as low as possible, without the bicycles being able to touch the ground when passing over an obstacle (speed bump, etc.).
- Loads sticking out beyond the cycle carrier must comply with current regulations and must be appropriately fixed. It is the user's responsibility to comply with the standards applying in each country where the carrier is used.
- Ensure that cycle tyres are not too close to the vehicle exhaust: hot gases could damage them.



### "Step through" and "suspension" frames

Some bike frames may not fit horizontally on the carrier but this in no way affects the effectiveness of the fixing. False cross bars are available to better position the bike on the rack.

Examples:

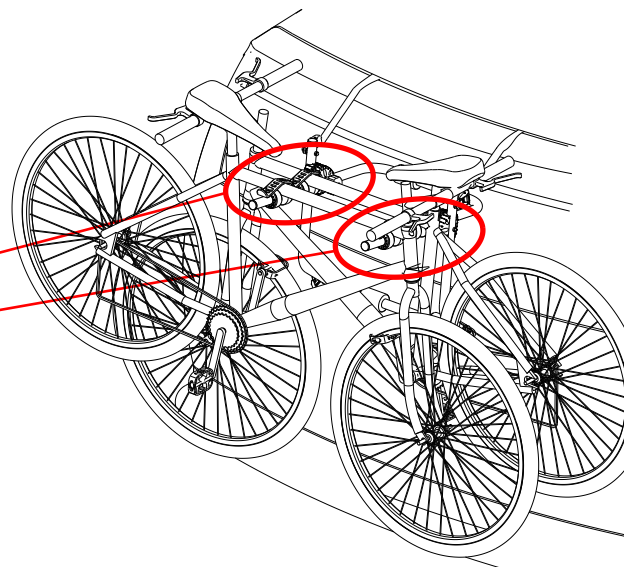
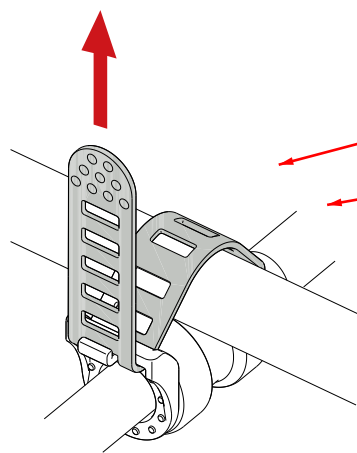
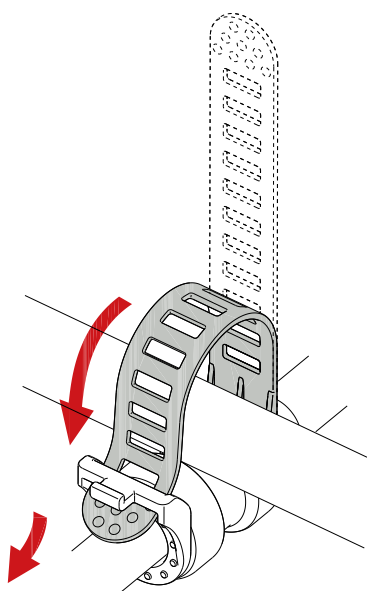


## 9 - Strapping on the bicycles:

It is essential to fix the bicycle frames using straps (H), securing them firmly to the cycle carrier's frame.



**ATTENTION:  
THESE STRAPS MUST  
BE USED**

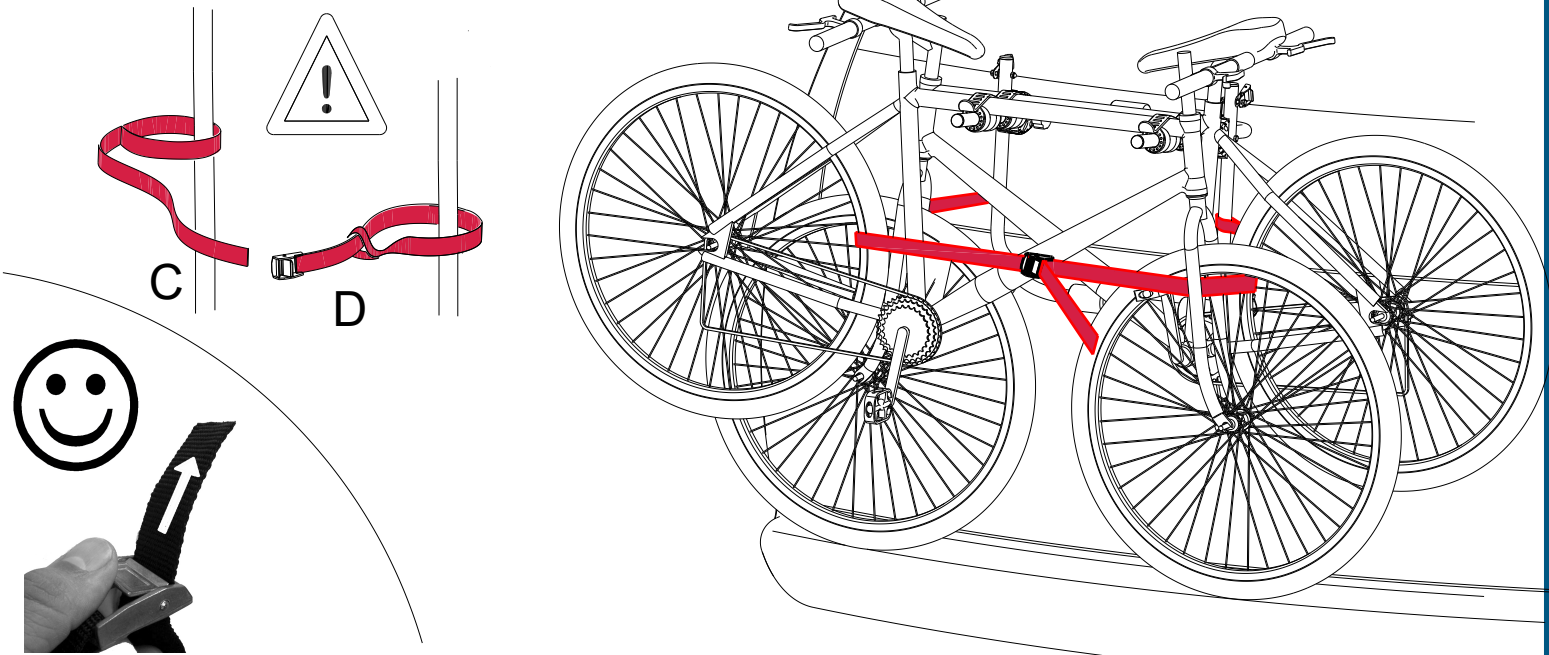


## 10 - Bike securing straps:

Pass the bike securing straps C and D (red) through **ALL** the wheels and bike frames. Insert the strap C into the buckle on strap D and tighten. It is essential that the strap is inserted into the buckle the correct way (see image). Pull firmly on both straps in all directions to ensure they will not come loose.

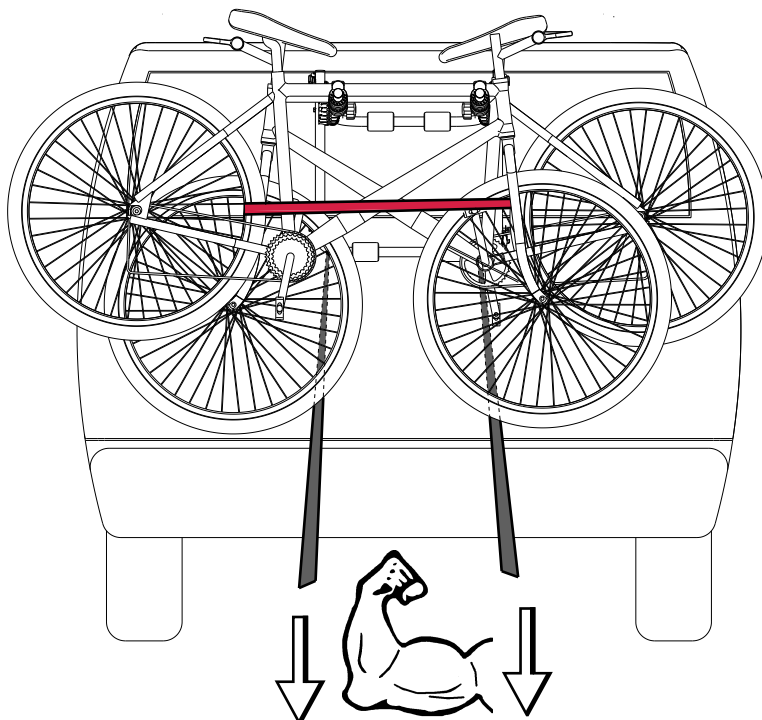
**Failure to use this strap will result in the cycles falling off the carrier.**

**ATTENTION:  
THESE STRAPS MUST BE USED.**



## 11 -Checking the tightness of the straps:

- The lower cycle carrier straps must be re-tightened.
- Check the other straps to ensure that there is no movement.
- Check that everything is firmly secured by attempting to move the bicycles; they must not move on the cycle carrier. If this is not the case, tighten all the straps again.
- Do not allow the straps to flap in the wind





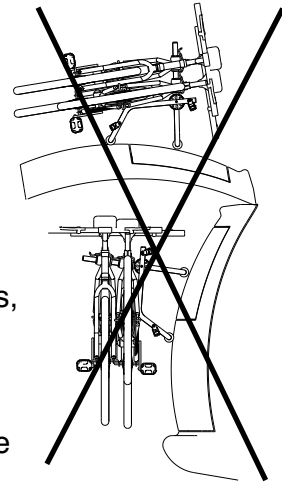
## 12 - Use:

- Comply with current regulations and the Highway Code.
- Incorrect installation or use can result in danger for you and others, for which you may be held liable.

### ADAPT YOUR DRIVING

- Every time the cycle carrier is used, check before departure and regularly during the journey that everything is firmly secured (screws, knobs, straps, etc.).
- The fixings for the bicycles and the cycle carrier must be checked after fitting and regularly during the journey. Re-tighten if necessary.

**Not suitable for vehicles with modifications E.g. Rear spoilers**  
**Not suitable for sports cars due to lightweight or composite body panels**  
**Not suitable for cabriolet vehicles due to complex hood folding mechanisms**  
**Not suitable for vehicles with side opening or split tailgates**



### IMPORTANT:

Your vehicle is now longer and wider. Take this into account when manoeuvring.

- Drive with care: any load carried behind a vehicle affects its behaviour (turning, crosswinds, road surface, reversing, tight turns, etc.).
- Reduce your speed, especially when turning or passing obstacles and be aware of increased braking distances.
- Do not use the cycle carrier on bumpy terrain: excessive shaking could damage your cycle carrier and your vehicle.

### YOU ALONE ARE RESPONSIBLE FOR INCORRECT USE OR FAILURE TO FOLLOW INSTRUCTIONS.

- Do not raise the vehicle's tailgate when the cycle carrier is fitted.
- It is recommended that you remove the cycle carrier after use, in order not to inconvenience pedestrians or other motorists.
- Never leave the cycle carrier attached to the vehicle in automated car washes, especially roller washes.
- Keep and maintain the cycle carrier in good condition, store it suitably, rolling up the straps.

## 13 - Visibility:

- The number plate and lights must remain visible. If they are partially obscured: a lighting board must be fitted.
- Your number plate must comply with the Highway Code.

