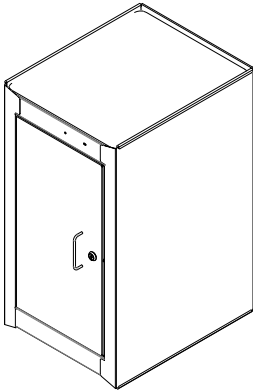




Installation instructions

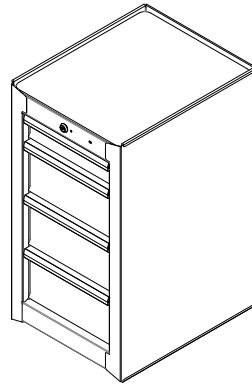
for Halfords Advanced side extension cabinets

Item code: 570421
HALFORDS ADVANCED
2 SHELF SIDE CABINET



or

Item code: 570561
HALFORDS ADVANCED
4 DRAWER SIDE CABINET



Caution:

Read and follow all information in this owners manual before use.





Keep for future reference.

Halfords Ltd.
Redditch
B98 0DE

SAFETY WARNINGS AND CAUTIONS

- Ensure all below instructions and the main cabinet instructions are followed.
- Side extensions are only designed to fit the Halfords Advanced cabinet (Item code 570413).
- This product must be fitted according to the below instructions using the fixing kit provided.
- Do not attempt to lift the main cabinet by the side extensions.
- Do not open more than one drawer at a time, this weight transfer could cause the unit to fall towards the user.
- When loading the drawers, place heavier items at the bottom of the unit.
- Ensure the main cabinet is loaded with tools before loading the side cabinets. Failure to do this will cause the cabinet to become unstable.
- Do not stand on the box or in/on the drawers.
- Not suitable for mounting on a truck bed or any other moving objects.
- Keep this product on level surfaces. The unit may become unstable and tip if stored or moved on an un-even surface.
- Do not exceed the maximum weight per drawer of 30KG or per shelf of 15KG.

Fixing kit consisting of:

			Stk. /Pcs				Stk. /Pcs
Ⓐ		M8*20MM	2	Ⓑ		M8	2
Ⓒ		M8	2	Ⓓ			2

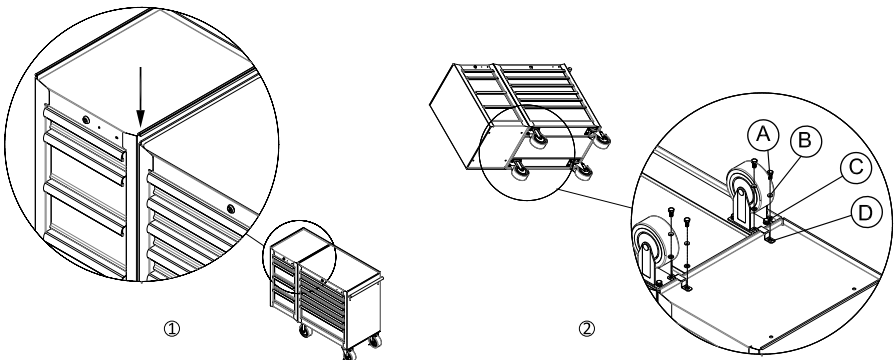
FITTING INSTRUCTIONS

The side extension cabinets can be fitted to either side of the main cabinet using the method below.

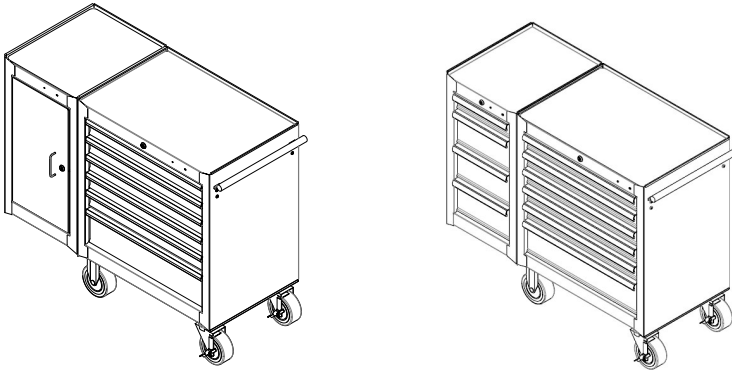
1. With a helper, empty and lay your existing main cabinet down with the back panel on the floor. Hook the side extensions 'lip' over the top edge of the main cabinet (see below). The handle of the main cabinet may need to be removed to allow fitment of extensions to both sides of the main cabinet. The handle cannot be installed onto the side extensions.

2. Remove the wheel bolt that is closest to the threaded holes of the extension unit. Place the metal bracket (D) with the oval shaped hole over the side extension and insert the bolts and washers as seen in the image below.

Tighten bolts to 5 Nm.



3. Return Cabinet to upright position.

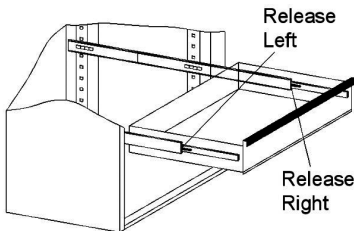


To lock the cabinet, ensure all drawers are fully closed and rotate the key.

4. When filling, ensure the main cabinet is loaded with tools first and then load the side cabinets (max 30Kg per drawer).

HOW TO REMOVE DRAWERS

- Empty the drawer.
- Fully extend the drawer.
- Drawer slides have a black retaining clip. To remove drawer, the retaining clips on slides need to be released by pushing lever up (Left Hand Side of Slide) and down (Right Hand Side of Slide) simultaneously, and sliding drawer out.



HOW TO RE-INSTALL DRAWERS:

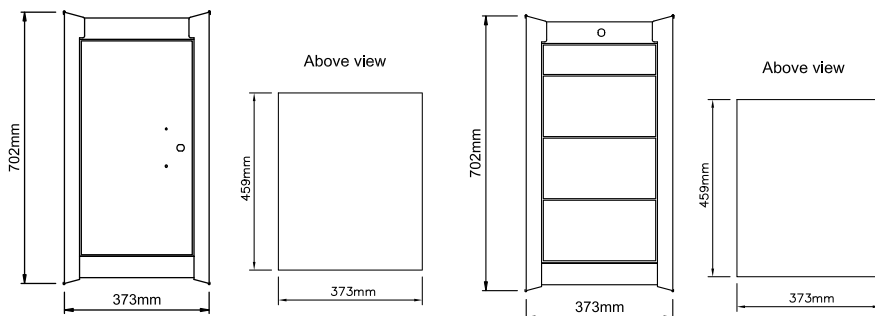
- Fully extend the runners, carefully slot the drawer back into the runner and press into the cabinet. Some resistance is normal however if a lot is felt, remove and realign.



MAINTENANCE

- Lubricate the slides with high quality bearing grease every 6 months.
- Lubricate lock with a suitable spray lubricant when required.
- When cleaning the drawer handles and painted surfaces use a mild detergent, water and a microfibre cloth.
- The drawer liners may be cleaned with soap and water.

SPECIFICATIONS



HALFORDS ADVANCED 2 SHELF SIDE CABINET

Item code: 570421

Cupboard dimension

- **W=287mm H=552mm D=459mm**

Maximum load weight:

- 15Kg per shelf

HALFORDS ADVANCED 4 DRAWER SIDE CABINET

Item code: 570561

Drawer dimensions:

- Row 1: **W=264mm H=75mm D=388mm**
- Row 2 to 4: **3x W=264mm H=154mm D=388mm**

Maximum load weight:

- 30Kg per drawer

WARRANTY

- Please visit halfords.com/advanced for information on warranty period and full terms and conditions.