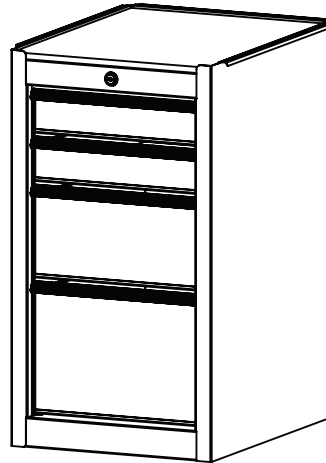
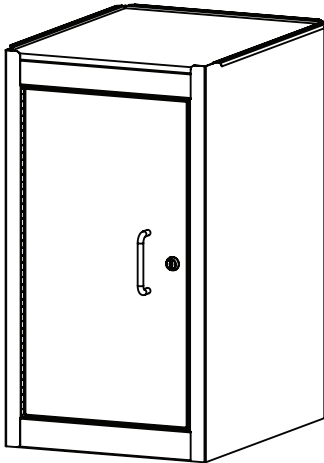


Halfords Series

Item Code: 575719,575768,575271 Halfords 1 Door 1 Shelf Side Cabinet
575727,575826,575297 Halfords 4 Drawer Side Cabinet



Caution:

**Read and follow all information in this owners manual before use.
Keep for future reference.**

Halfords Ltd. Redditch, B98 0DE.

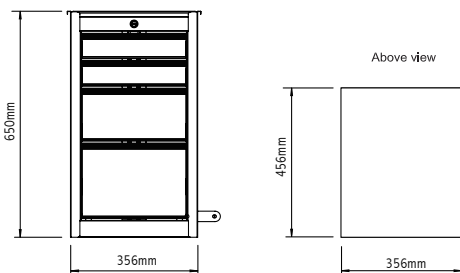
SAFETY

SAFETY WARNINGS AND CAUTIONS

Ensure all below instructions and the main cabinet instructions are followed.

- These side extensions are only designed to fit to the Halfords base cabinets.
- This product must be fitted according to the below instructions using the fixing kit provided.
- Do not attempt to lift the main cabinet by the side extensions.
- Do not open more than one drawer at a time, this weight transfer could cause the unit to fall towards the user.
- When loading the drawers, place heavier items at the bottom of the unit.
- Ensure the main cabinet is loaded with tools before loading the side cabinets. Failure to do this will cause the cabinet to become unstable.
- Do not stand on the box or in/on the drawers.
- Not suitable for mounting on a truck bed or any other moving objects.
- Keep this product on level surfaces. The unit may become unstable and tip if stored or moved on an un-even surface.
- Do not exceed the stated maximum weights listed below.

Product Specifications



Drawer Dimension:

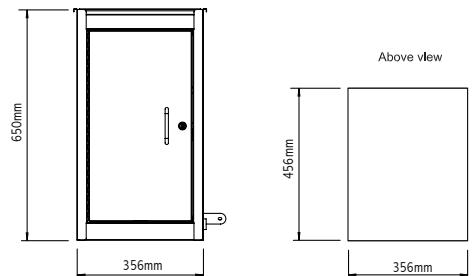
Row 1 to 2: 2xW=263.5mm H=72.4mm D=387.9mm

Row 3: W=263.5mm H=151.4mm D=387.9mm

Row 4: W=263.5mm H=215.4mm D=387.9mm

Maximum Weight per Small Drawer (x2): 10KG

Maximum Weight per Big Drawer (x2): 20KG



Compartment Dimension:

Top: W=293.5mm H=146mm D=424.2mm

Bottom: W=293.5mm H=348mm D=424.2mm

Maximum Weight for Top Compartment: 15KG

Maximum Weight for Bottom Compartment: 25KG

OPERATION

Part	Description	Qty
1	Adhesive Bumper	2
2	Bracket	1
3	M6 x 12 Bolt	2
4	Door Handle (for 1 Door 1 Shelf Side Cabinet Only)	1
5	M4 x 10 Bolt (for 1 Door 1 Shelf Side Cabinet Only)	2

(1) ATTACHING THE SIDE CABINET TO THE MAIN CABINET

The Side cabinets can be fitted to either side of the main cabinet using the method below. The handle of the main cabinet may need to be removed to allow fitment of side cabinets to both sides. The handle can not be installed on the side cabinets.

1. Install the door handle with the bolts provided. (For 1 Door 1 Shelf Side Cabinet Only. Refer to fig.1.)
2. Peel off the backing and attach the 2 adhesive bumpers onto the lower section of the side panel that will be up against the main cabinet. Refer to fig.1.
3. Lift and hang the side cabinets top lip over the top edge of the main cabinet. Refer to fig.2
4. Using the bracket and bolts attach the two cabinets together and tighten. Refer to fig.2.
5. For safety, fill the main cabinet with tools first and then load the side cabinets.

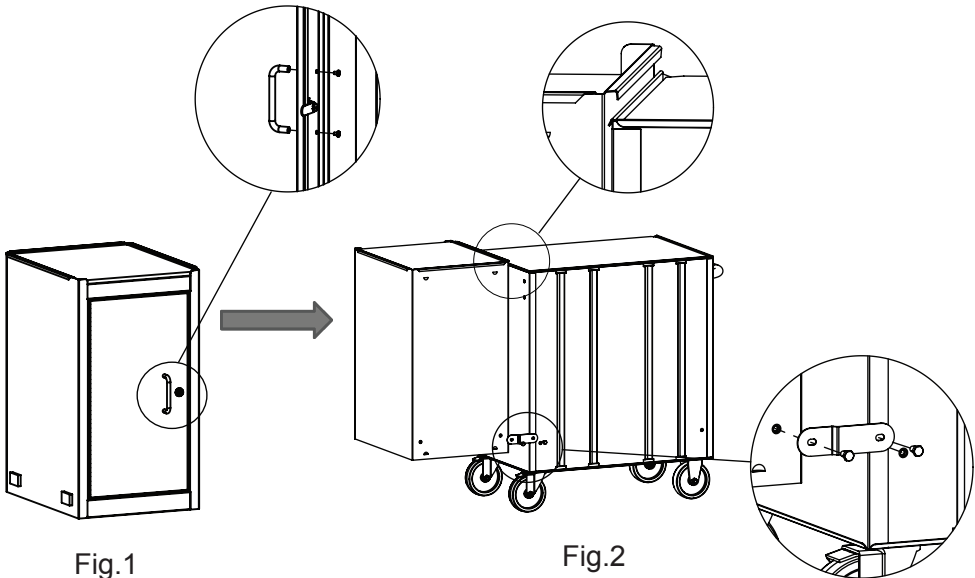


Fig.1

Fig.2

(2) LOCKING

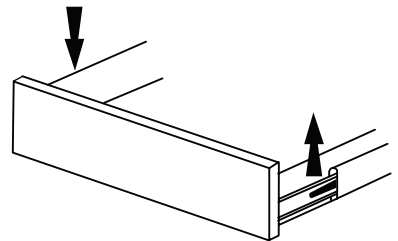
Close all drawers and doors before locking, if a drawer is not locked, unlock unit and push the drawer fully closed before re-locking.

MAINTENANCE

REMOVING AND INSTALLING DRAWERS

Pull the drawer completely out, press down left tab and lift up right tab, pull drawer off slides.

To reinstall the drawer: Fully extend the runners, carefully slot the drawer back into the runner and press into the cabinet. Some resistance is normal however if a lot is felt, remove and realign.



MAINTENANCE OF SIDE CABINET

Drawer slides should be lubricated periodically. (See Halford's lubricant range).

Hardware (nuts, bolts, screws) should be tightened periodically to maintain trouble free operation.