

ROAD ANGEL™

HARD
WIRES

your

HALO
DASH
CAM

Hardwire Kit
Installation Manual



Parking
Mode



Continuous
Recording



Winter
Mode



Battery
Monitoring



G-Sensor
Recording

The Road Angel Hardwire Kit is designed for use with Road Angel products.

Road Angel Recommends a professional and competent installer carry out the work to install the Dashcam and hardwiring kit for a reliable experience.

Incorrect installation leading to any problems will result in the warranty not being applicable.

- Road Angel Halo Start, Go & Ignite – Micro USB (5V)
- Road Angel Halo Drive 2 – Type C USB (5V)
- Road Angel Halo View 2 – Type C USB & Jack (5V)
- Road Angel Halo Vision – Mini USB & Jack (5V)
- Road Angel Halo Pro – Type C USB (12V) - Please ensure this is NOT used for any other Road Angel product as the output on this is 12 volts and not 5 volts.
- Road Angel Halo Ultra, Guard, Play & Ultima – Type C USB (5V)



Fitting Instructions¹

For front facing dashcam please follow steps 1-7 & 13 -14.

For front & rear-facing dashcam please follow steps 1-9 & 13-14.

For front-facing dashcam and rear-facing dashcam/reverse camera please steps 1-14.

For dashcam using a "Hardwiring Kit HWK Adapter" please follow steps 1-9 & 13 -14.

Step 1:

Locate the vehicle's Fusebox. (Refer to owner's manual).

Step 2:

Locate a permanent and ignition live comfort fuse.
(Refer to owner's manual)

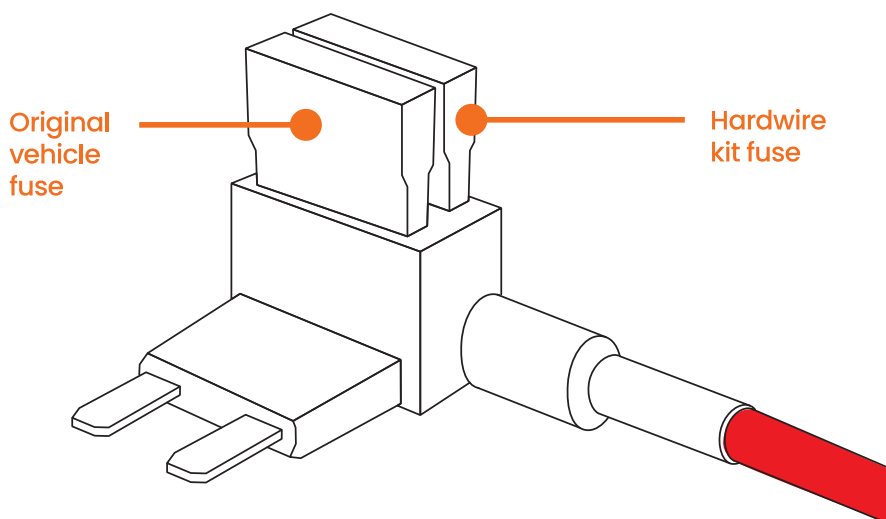
(Comfort fuse examples – Cig lighter, Heated screen/seats, USB socket)

Step 3:

Select the required fuse adaptors for your fuse type.
(Do not remove the pre-installed fuse unless damaged)

Step 4:

Remove the selected fuses and insert them into the spare fuse slot in the fuse spurs supplied in the kit. Insert the fuse spurs back into the slots where the fuses were removed from the vehicle's Fusebox.



Step 5:

Find a suitable earthing point and attach the black ground wire.

Fitting Instructions²

Step 6:

Connect the "Red Ignition Live" cable to the fuse spur used for ignition.

Connect the "Yellow Permanent Live" cable to the fuse spur used for permanent.

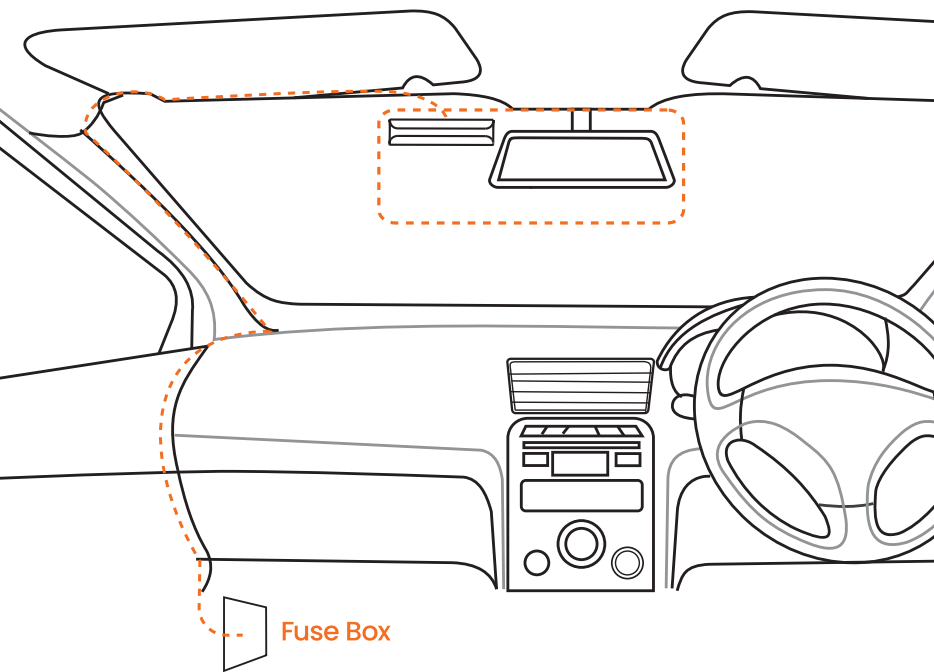
Step 7:

Mount the front dashcam to the front windscreen and connect the USB to the dashcam. Ensure all cabling is tucked away behind the interior trim to avoid obstruction of vehicle controls.

Please ensure your dashcam is mounted in a clear and optimal viewing position. Do not mount the dashcam too close to the roof liner.

Please note, For Road Angel Halo Guard, Play & Ultima, use the USB C to USB C Hardwiring Kit adaptor provided in the box. This changes the pin configuration to allow the RA7300c Kit to be used.

Please continue if you have a rear-facing camera...



Fitting Instructions³

Step 8:

Road Angel Halo Guard, Play and Ultima

Connect the Micro USB front-rear cable directly to the front-facing dashcam*

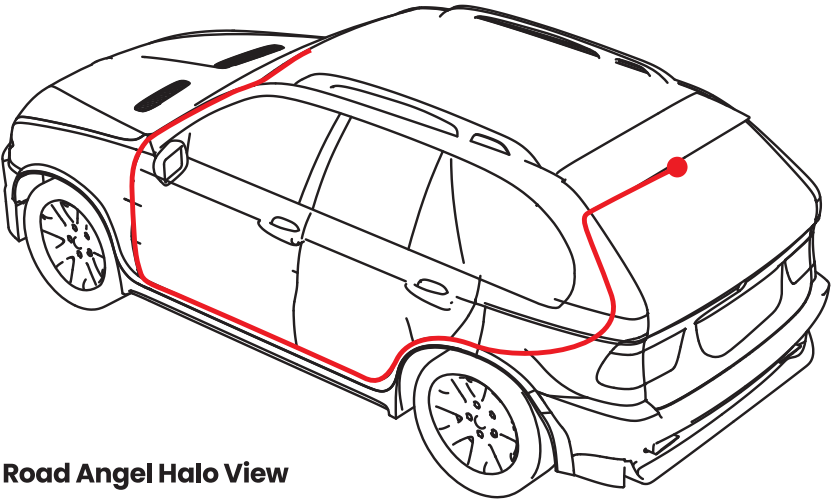
Road Angel Halo Pro

Connect the 4-pin connector to the connector on the hardwire kit*

Road Angel Halo Vision

Connect the jack to the top of the Halo Vision*

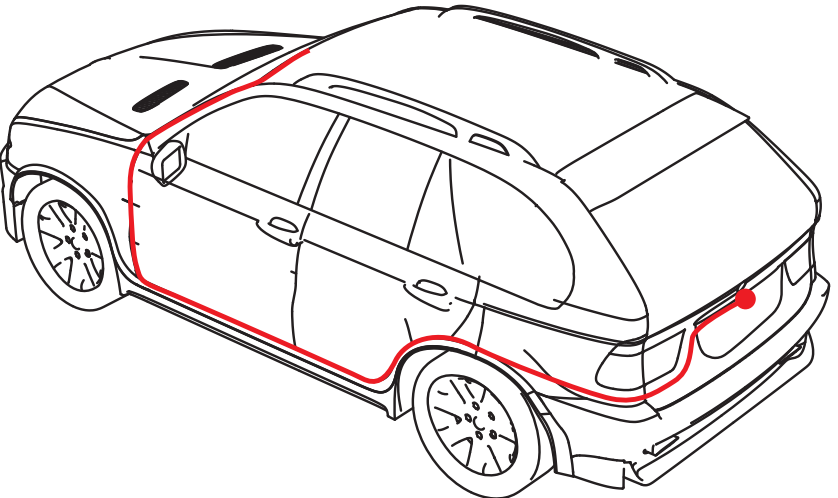
*And run the wire internally to the rear windscreen.



Road Angel Halo View

Connect the jack to the top of the Halo View. Unlike the other models in "Step 8" the Halo View rear camera doubles up as a waterproof reversing camera & parking Aid. This camera, although can be internally mounted, needs to be mounted externally to work to the best of its ability. (Move on to step 10)

Please note, Road Angel advises running the cable Down and across the bottom of the vehicle and then up to the rear camera behind interior trim to avoid any interference with airbags.



Fitting Instructions ⁴

Step 9:

Run the rear cable along the vehicle's original wiring harnesses rubber tubing to get to the rear windscreen. Running the rear cable through the Gromit will give the cleanest and neatest installation results. Connect the cable to the rear-facing camera and mount the rear cam to the rear windscreen in optimal position.

Please continue for Road Angel Halo View Only...

Step 10:

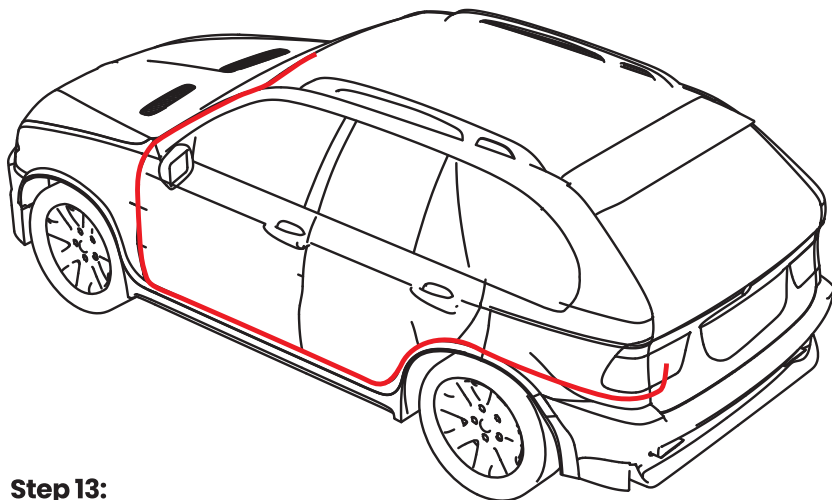
Find a suitable location for the external camera and use the adhesive pad or screws provided to mount the camera. Road Angel recommends mounting the camera above the rear number plate.

Step 11:

Route the cable through the vehicle's bodywork to connect the rear-facing external camera to the Halo Views main unit. Professional Installation is recommended.

Step 12:

Connect the red wire for the rear-facing camera to the live/positive wire on the vehicle's reverse light. This allows the Halo View to switch to rear view mode to aid parking upon reverse gear activation.



Step 13:

Insert Road Angel SD Card and switch on the vehicle's ignition. Allow the dashcam to initialize.

Step 14:

Please ensure you go into the Dashcam app and set up Parking Mode options accordingly.

It is good practice to also calibrate the date/time and also adjust your password (if you are the dashcam owner/user). Switch off the vehicle's ignition and ensure the dashcam goes into parking mode. This can take up to 15 minutes of inactivity.